



A150670

A150669

A150668

A150671

A150672

A150673



ENGLISH

Table of contents

1. Safety 20
1.1 Key to symbols 20
1.2 Safety instructions 21
1.3 Proper use 25

2. General information 26
2.1 Liability and Warrantees 26
2.2 Copyright protection 26
2.3 Declaration of conformity 26

3. Transport, packaging and storage 27
3.1 Delivery check 27
3.2 Packaging 27
3.3 Storage 27

4. Technical data 28
4.1 Technical data 28
4.2 Overview of parts 29

5. Installation and operation 30
5.1 Installation 30
5.2 Operation 32

6. Cleaning and maintenance 34

7. Possible Malfunctions 35

8. Waste disposal 36

Bartscher GmbH
Franz-Kleine-Str. 28
33154 Salzkotten
Germany

phone: +49 (0) 5258 971-0
fax: +49 (0) 5258 971-120



Read this instruction manual before using and keep them available at all times!

This instruction manual contains information about the installation, operation and maintenance of the device and should be consulted as an important source of information and reference guide.

Awareness of the safety instructions and instructions for use in this manual will ensure the safe and correct use of the device.

In addition to the information given here, you should comply with any local Health and safety Controls and generally applicable safety regulations.

The instruction manual forms part of the product and should be kept near the device and easily accessible for anyone carrying out the installation, servicing, maintenance or cleaning.

Please keep these instructions and give them to future owners of the device.

1. Safety

This device is designed in accordance with the presently applicable technological standards. However, the device can pose a danger if handled improperly and inappropriately.

All persons using the device must follow the recommendations and instructions in this instruction manual.

1.1 Key to symbols

In this manual, symbols are used to highlight important safety instructions and any advice relating to the device. The instructions should be followed very carefully to avoid any risk of accident, personal injury or material damage.



DANGER!

This symbol highlights hazards which could lead to injury.



WARNING!

This symbol highlights dangerous situations which could lead to injury or death.



HOT SURFACE!

This symbol is a warning that the device surface is hot when in use. Ignoring this warning may result in burns!



CAUTION!

This symbol highlights dangerous situations which could lead to light injuries, or damage, malfunction, and/or destruction of the device.



NOTE!

This symbol highlights recommendations and information aimed for effective and trouble-free device operation.

1.2 Safety instructions

- The device is not intended for use by individuals (including children) with physical or mental disabilities, insufficient experience, and/or insufficient knowledge unless such persons are under the care of a person responsible for their safety or have received instructions regarding appropriate use of the device.
- Children should be observed to ensure that they are not playing with the device.
- **Never** leave the device unattended when in use.
- Only use the device indoors.
- The device is not adapted for use with an external timer or remote control.
- This device may only be operated in technically proper and safe condition.
- Prevent access of children to the package materials like plastic bags and foamed polystyrene elements. **Suffocation hazard!**

- Only a qualified technician and using original spare parts and accessories should carry out repairs and maintenance of the device. **Do not attempt to repair the device yourself.**
- Do not use any accessory or spare parts that have not been recommended by the manufacturer. These can be dangerous for the user or lead to damages of the device or personal injury, and further, the warranty expires.
- To prevent hazards and to ensure optimum efficiency, no modifications or alterations to the device that are not explicitly approved by the manufacturer may be undertaken.



DANGER! Electric shock hazard!

To avoid the hazard results please follow the safety instructions below.

- Never allow the power cable to come into contact with heat sources or sharp edges. The power cable should not hang over the side of the working surface. Ensure that no one can step on or trip over the cable.
- The power cable must not be folded, bent or tangled, and must always remain fully unrolled. Never place the device or other objects on the power cable.
- Do not lay the power cable over carpets or other inflammable materials. Do not cover the cable. Keep away the cable from operating range and do not immerse it into water.

- Check the power cord regularly for damage. Do not use the appliance if the power cord is damaged. If this cable is damaged, it must be replaced by customer service or a qualified electrician in order to avoid dangers.
- The supply cable must be disconnected from the socket only by pulling the plug.
- Never carry or lift the device by the supply cable.
- In any case do not open the device housing. In case of electrical or mechanical modifications the **electric shock hazard** will occur.
- Do not use any acid agents and make sure no water ingresses the device.
- **Never** operate the device with moist hands or standing on wet floor.
- Disconnect the device from the electric power supply.
 - when the device is not used,
 - in case of anomalies during operation,
 - before cleaning.



HOT SURFACE! Burn hazard!

Follow the safety instructions listed in order to avoid the hazard:

- The housing and the grill plates of the appliance become very hot. during operation. Do not touch them with bare hands. Use always the operating handle in order to open the device. Use appropriate kitchen utensils for laying and taking of food.

- Also after switching off, the device remains hot for some time. Before cleaning or moving it to another place wait until the device cools down first.
- **Never** move this appliance during operation.



WARNING! Fire or explosion hazard!

Follow the safety instructions listed in order to avoid the hazard:

- In order to avoid risk of fire and damage to the device, **never** place kitchen utensils, towels, paper and the like on the grill plate during operation.
- **Never** operate the device near combustible, easily flammable materials (e.g. petrol, spirit, alcohol etc.). They evaporate through heating and in case of contact with ignition sources deflagrations can occur which can lead to serious personal injuries and property damages.
- When a fire arises disconnect it from the power supply before you initiate appropriate measures for fire-fighting. Provide sufficient supply of fresh air.

Caution: Never extinguish the fire with water when the power plug is connected to the socket. **Electric shock hazard!**

1.3 Proper use



CAUTION!

The device has been designed and built for commercial use and should be operated only by qualified personnel in kitchen facilities.

The operational safety of the device is assured only in case of proper use, according to the operation manual.

All technical activities like installation and maintenance must be performed by the qualified service personnel only.

The **electric contact grill** is meant **only** for **grilling dishes**.



CAUTION!

Any use going beyond the intended purpose and/or any different use of the device is forbidden and is not considered as conventional.

Any claims against the manufacturer or his authorized representative as a consequence of experiencing damages resulting from unconventional use are impossible.

The operator is liable for all damages resulting from inappropriate use.

2. General information

2.1 Liability and Warrantees

All the information and instructions in this manual take into account standard safety regulations, current levels of technical engineering as well as the expertise and experience we have developed over the years.

The instruction manual was translated with all due care and attention. However, we do not accept liability for any translation errors. The German version of this instruction manual is definitive.

If the delivery consists of a special model, the actual scope of delivery may differ from the descriptions and illustrations in this manual. This is also the case for special orders or when the device has been modified in line with new technology.



CAUTION!

Read this manual carefully and thoroughly before any operation of the device, and especially before turning it on!

Manufacturer **is not liable** for any damages or faults caused by:

- violation of advice concerning operation and cleaning;
- use other than designed;
- alterations made by user;
- use of inadequate spare parts.

We reserve the right to make technical changes for purposes of developing and improving the useful properties.

2.2 Copyright protection

The instruction manual including any texts, drawings, images or other illustrations is copyright. No part of this publication may be reproduced, transmitted or used in any form or by any means without permission in writing from the manufacturer. Any person who commits any unauthorized act in relation to this publication shall be liable to claims for damages. All rights reserved.



NOTE!

The contents, texts, drawings, pictures and any other illustrations are copyright and subject to other protection rights. Any person unlawfully using this publication is liable to criminal prosecution.

2.3 Declaration of conformity



The device complies with the current standards and directives of the EU. We certify this in the EC declaration of conformity. If required we will be glad to send you the according declaration of conformity.

3. Transport, packaging and storage

3.1 Delivery check

Please check the delivery upon completeness and transport damage immediately after receipt. In case of visible damage do not accept or accept the delivery with reservation only.

Note the extent of damage on the carrier's bill of delivery. Trigger off the complaint.

Hidden damages should be reclaimed immediately after notice, as claims for damages can only be asserted within the effective period for complaints.

3.2 Packaging

Please do not throw away the covering carton of your device as it might be useful for storage purposes, when moving or, in case of damages, when the device must be sent back to a repair center. The outer and inner packing material should be removed completely from the device before installation.



NOTE!

If you liked to dispose the packing, consider the regulations applicable in your country. Supply re-usable packing materials to the recycling.

Please inspect the device upon completeness. In case any part is missing please contact our customer service center immediately.

3.3 Storage

Keep the package closed until installation and under consideration of the outside indicated positioning- and storage markings.

Packages should be stored under consideration of the following:

- do not store outdoors,
- keep it dry and dust-free,
- do not expose it to aggressive media,
- do not expose it to direct sunlight,
- avoid mechanical shocks and vibration,
- in case of longer storage (> 3 months) make sure you check the state of the packaging and the parts regularly, if required refresh or renew.

4. Technical data

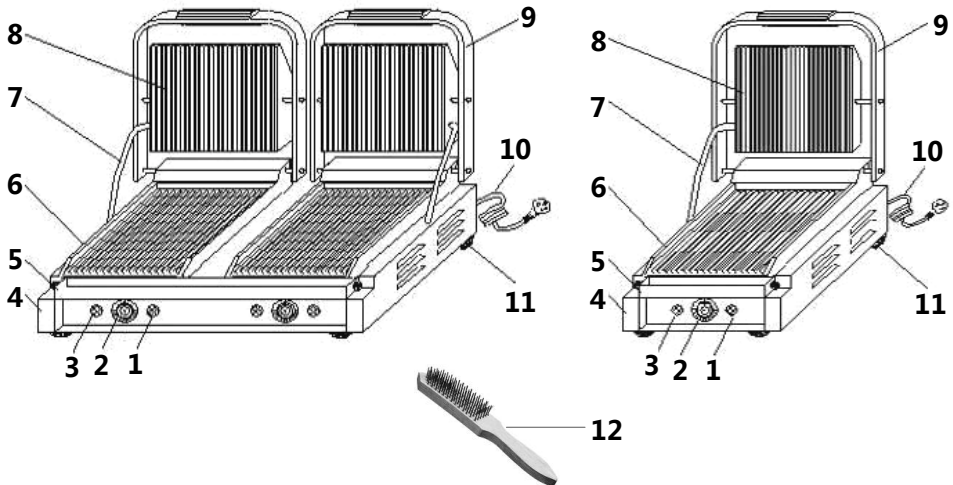
4.1 Technical data

Description	Electric contact grill		
Code-no.:	A150670	A150669	A150668
Grill plates performance:	grooved	smooth	upper grooved, lower smooth
Material:	The housing made of chromium and nickel steel, plates made of cast iron		
Temperature range:	50 °C - 300 °C		
Power:	1,8 kW / 230 V 50/60 Hz		
Dimensions:	W 290 x D 370 x H 200 mm		
Dimensions top grill plate:	W 214 x D 214 mm		
Dimensions bottom grill plate:	W 220 x D 235 mm		
Weight:	14 kg		
Equipment:	cleaning brush		

Description	Electric contact grill double		
Code-no.:	A150671	A150672	A150673
Grill plates performance:	grooved	smooth	upper grooved, lower smooth
Performance:	The housing made of chromium and nickel steel, plates made of cast iron		
Temperature range:	50 °C - 300 °C		
Power:	3,6 kW / 230 V 50/60 Hz		
Dimensions:	W 570 x D 370 x H 200 mm		
Dimensions top grill plate:	W 215 x D 215 mm		
Dimensions bottom grill plate:	W 470 x D 230 mm		
Weight:	26 kg		
Equipment:	cleaning brush		

We reserve the right to make technical changes!

4.2 Overview of parts



- 1** Temperature indicator light (red)
- 2** Temperature control knob
- 3** Network connection indicator light (green)
- 4** Bottom casing
- 5** Fat collection compartment
- 6** Bottom grill plate
- 7** Cable duct
- 8** Top grill plate
- 9** Handle
- 10** Mains connection cable
- 11** Rubber feet
- 12** Cleaning brush

5. Installation and operation

5.1 Installation



CAUTION!

Any installation, connection and maintenance work related to the device must be performed by the qualified and certified technician in accordance with the applicable international, national and local regulations.

Positioning

- Unpack the device and discard the entire packaging material according to the regulations valid in the country of installation.
- Place the device in a well ventilated room or under the ventilating hood to efficiently remove vapours produced when cooking dishes.
- Place the device on an even, stable, dry and waterproof and heat-resistant surface.
- **Never** place the device on an inflammable surface.
- **Never** place the device in wet or damp locations.
- Place the device so that it is easily accessible, leaving enough space to freely service the device and ensure appropriate air circulation.
- **Never** place the device directly against walls, low walls, furniture or other objects which are made of flammable material. Keep a distance of at least 10 cm at the sides and at the rear from walls and other objects. Take into account the applicable fire protection regulations.
- If keeping the above mentioned distance is impossible, apply appropriate safety measures (e.g. heat-resistant foil), which will ensure keeping the wall's temperature within the safe range.
- Before the first use, remove the protective foil from the device. Remove the foil slowly not to leave glue residues. Remove possible glue residues with appropriate solvent.



CAUTION!

Never remove the type plate and warning signs from the device.

Connection



DANGER! Electric shock hazard!

The device can cause injuries due to improper installation! Before installation and connecting the local power grid specification should be compared with that of the device (see rating plate). Connect the device only in case of compliance!

- The electrical circuit in the socket must be secured to at least 16A. Only connect the unit directly to the wall socket; do not use any extension cords or power strips.
- Place the unit so that the plug is easily accessible and can be quickly removed from its socket in case of necessity.
- There is a ground pin on the back of the device. Please connect the earth cable with a copper cable (diameter at least 2 mm²) in conformity with the valid general safety regulations.
- The double grill shall be connected to two separate network sockets.

5.2 Operation

- Connect the device to a single outlet.
- A green network connection indicator light is on.
- The device is equipped with a temperature control knob. The adjustable temperature is between 50 °C -300 °C. We recommend maintaining the maximum operating temperature between 200 °C - 250 °C.
- A red temperature indicator light turns on in the moment of setting the temperature regulation knob on the desired value.
- After turning the device on, it need approx. 10 minutes to reach the temperature of 250 °C.
- When the device reaches the desired temperature, the red temperature indicator light turns off.
- If the temperature falls down for about. 10 °C, the heating is turned on again and the red temperature indicator light turns on.
- Now lift the top grill with the handle to an adequate position. Pour a bit of vegetable oil onto the bottom grill and add the food. Close the grill halves. Keep an eye on the food until it is done cooking.



HOT SURFACE! Danger of burning!

The contact grill gets very hot during operation, also on the sides and the top. Never touch the device during operation or shortly after!

Never operate the device in a slanted position!

- There is a fat receptacle on the front of the bottom grill, which catches the draining fat. Wait until the device, the receptacle and the content have cooled off to drain it.



WARNING! Danger of burning!

Protect your hands and face from possible fat splashes.

- Do not use any hard or sharp object on the grill to prevent damage to the surface or the operating elements.
- Put the temperature control knob to „0“ once you are finished grilling. Remove the grilled food and pull the mains plug.



CAUTION!

The device is equipped in the overheat protection system.

After turning the overheat protection system on, one shall turn the device off the network socket (take out the plug!) and leave the grill to cool down. Push the RESET button located at the bottom of the device.

In case of frequent turning on of the overheat protection system within the short intervals, it is recommended to contact the service.

- If the device is not in use, remove it from the outlet (pull out the plug!)

6. Cleaning and maintenance



WARNING

Before cleaning the device, turn the device off with ON/OFF switch and disconnect it from the power supply.

Let the device to cool down.

Never clean the device with any kind of pressure water jets!

Make sure that no water gets into the device.

- Clean the device after each use.
- Use soft cloth only and make sure you **never** use any kind of abrasive agents or pads, which could scratch the surface.
- **Never** use any aggressive cleaning agents or sprays.
- Clean the casing, the handle and the outside of the top grill with a damp cloth. Use a mild detergent in case the device is really dirty.
- Grill plates shall be washed inside with a soft damp cloth and sensitive cleaning agent.
- Wipe the grill plates grooved on the inside with warm water and a damp cloth.
- Remove heavier dirt with the enclosed brush from the grills.
- If the device is really dirty, lubricate the still warm grills with oil on the inside, leave to soak for a few minutes and then clean off the grills with soft cloth.
- Clean the fat receptacle with warm water and a mild detergent. Be careful when cleaning the removable fat receptacle. Always leave the fat to cool down before disposing of it.
- After the cleaning procedure you should use a soft and dry cloth to wipe dry and polish the surface.
- Before storing the device in a dry place you should make sure it has been cleaned properly.

Storage

- If the device is not used for any lengthy period, clean it according to the aforementioned description and store it in dry, clean place protected against cold, sun and children. Do not place any heavy objects on the device.

7. Possible Malfunctions

In case of failure turn the device off with the main switch and disconnect the device from the power supply (pull the plug!). Before calling the technician or informing the vendor check the possibility of removing the failure by yourself according to the table below.

Problem	Cause	Solution
Grill plates do not get warm although the device has been turned on and the red temperature indicator light is on.	<ul style="list-style-type: none"> • Temperature control knob is defect. • At least one of the heater cables is defect. • The overheat protection system is on. 	<ul style="list-style-type: none"> • Contact the retailer. • Contact the retailer. • Leave the grill to cool down, push the RESET button at the bottom of the device.
The device has been turned on, the temperature regulation knob has been started, the red temperature indicator light is on, but it is not possible to regulate temperature.	<ul style="list-style-type: none"> • Temperature control knob is defect. 	<ul style="list-style-type: none"> • Contact the retailer.
The red temperature indicator light is not on, although the device is turned on and the process of cooking goes in usual way.	<ul style="list-style-type: none"> • Temperature indicator light is damaged. 	<ul style="list-style-type: none"> • Contact the retailer.
The green network connection indicator light is not on, although the device is turned on.	<ul style="list-style-type: none"> • Abnormal or interrupted power supply. • Fuse has blown. 	<ul style="list-style-type: none"> • Check the power supply and the cable for damage or faults. • Contact the retailer.

When the anomalies cannot be removed:

- **do not** open the housing,
- contact the service company or the vendor, and specify:
 - failure type;
 - article number and serial number (see rating plate on the back wall).

8. Waste disposal

Discarding old devices

At the end of its service life the discarded device has to be disposed in accordance with the national regulations. It is advisable to contact a company which is specialized in waste disposal, or just contact the local disposal service in your community.



WARNING!

To exclude any abuse and the dangers involved make the waste device unfit for use before disposal.

For that purpose disconnect device from mains supply and remove mains connection cable from the device.



CAUTION!



For the disposal of the device please consider and act according to the national and local rules and regulations.