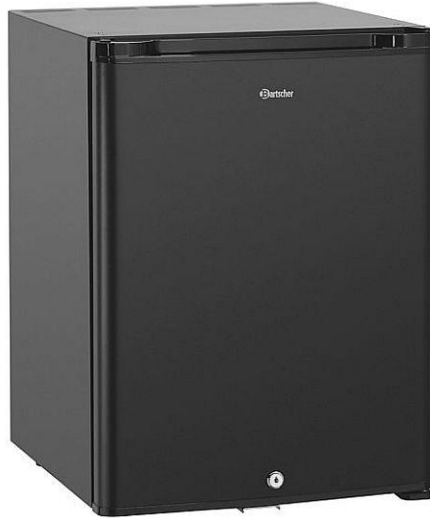


**34L**



**700118**

Bartscher GmbH  
Franz-Kleine-Str. 28  
D-33154 Salzkotten  
Germany

Phone: +49 5258 971-0

Fax: +49 5258 971-120

**Technical Support Hotline:** +49 5258 971-197

[www.bartscher.com](http://www.bartscher.com)



Version: 1.0

Date of preparation: 2021-06-02

---

## Original instruction manual

1	Safety .....	2
1.1	Explanation of Signal Words.....	2
1.2	Safety instructions.....	3
1.3	Intended Use .....	6
1.4	Unintended Use .....	6
2	General information .....	7
2.1	Liability and Warranty .....	7
2.2	Copyright Protection .....	7
2.3	Declaration of Conformity .....	7
3	Transport, Packaging and Storage .....	8
3.1	Delivery Check.....	8
3.2	Packaging .....	8
3.3	Storage .....	8
4	Technical Data.....	9
4.1	Technical Specifications .....	9
4.2	Functions of the Appliance.....	10
4.3	List of Components of the Appliance .....	11
5	Installation and operation .....	12
5.1	Installation.....	12
5.2	Operation .....	18
6	Cleaning and Maintenance .....	19
6.1	Safety Instructions for Cleaning .....	19
6.2	Cleaning.....	19
6.3	Maintenance .....	20
7	Possible Malfunctions.....	20
8	Disposal.....	22



**Read this instruction manual before using and keep it available at all times!**

This instruction manual contains information about installation, operation and maintenance of the appliance and constitutes an important source of information and reference guide. The knowledge of all operational and safety instructions included in this manual is a prerequisite for safe and proper handling of the appliance. Additionally, accident prevention, occupational health and safety, and legal regulations in force in the area the appliance is used apply.

Before you start using the appliance, especially before turning it on, read this instruction manual in order to avoid personal injuries and property damages. Improper use may cause damage.

This instruction manual forms an integral part of the product and must be stored in an immediate vicinity of the appliance and be available at all times. The instruction manual should be transferred together with the appliance.

## 1 Safety

EN

This appliance has been manufactured in accordance with technical standards currently in force. However, the appliance may be a source of hazards if used improperly or contrary to its intended purpose. All persons using the appliance must consider information included in this instruction manual and observe safety instructions.

### 1.1 Explanation of Signal Words

Important safety instructions and warning information are indicated in this instruction manual with appropriate signal words. You must strictly follow the instructions, to prevent accidents, personal injuries and property damages.



**DANGER!**

The signal word **DANGER** warns against hazards that lead to severe injuries or death if the hazards are not avoided.



### **WARNING!**

The signal word **WARNING** warns against hazards that may lead to moderate or severe injuries or death if the hazards are not avoided.



### **CAUTION!**

The signal word **CAUTION** warns against hazards that may lead to light or moderate injuries if the hazards are not avoided.

### **IMPORTANT!**

The signal word **IMPORTANT** indicates possible property damages, which may occur if safety instructions are not observed.

### **NOTE!**

The symbol **NOTE** indicates subsequent information and guidelines for the user on usage of the appliance.

## 1.2 Safety instructions

### Electrical Current

- Too high a mains voltage or incorrect installation may cause electric shock.
- The appliance may be connected only if data on the rating plate correspond with the mains voltage.
- To avoid short-circuit, the appliance should be kept dry.
- If there are malfunctions during operation, disconnect the appliance from the power supply.
- Do not touch the appliance's plug with wet hands.
- Never take hold of the appliance if it has fallen into water. Immediately disconnect the appliance from the power supply.
- Any repairs or housing opening may be carried out by professionals and relevant workshops only.
- Do not transport the appliance, holding it by the power cord.
- Do not allow the power cord to come into contact with heat sources or sharp edges.
- Do not bend, pinch nor knot the power cord.

- Always completely unwind the power cord.
- Never place the appliance or other objects on the power cord.
- Always take hold of the plug to disconnect the appliance from the power supply.
- Check the power cord regularly for damage. Do not use the appliance if the power cord is damaged. If this cable is damaged, it must be replaced by customer service or a qualified electrician in order to avoid dangers.

### **Fire hazard / flammable materials hazard / explosion hazard!**

- Do not use any electric devices in the appliance.
- Do not store nor use petrol or other flammable liquids and gases in the vicinity of this or any other appliance. Those gases may cause fire or explosion hazard.
- Do not put into the appliance any explosive materials, like sprays filled with flammable propellants. Contents of containers filled with flammable gases and liquids may leak in low temperatures, and the contents may catch fire from sparks generated by an electric appliance. Explosion hazard!
- In the case of coolant leakage, pull the plug from the socket. Remove all sources of ignition in the vicinity, ventilate room and contact technical service. Avoid coolant getting in contact with eyes, as it may cause serious eye damage.
- Never use any flammable liquids for cleaning the appliance or its parts. Gases released may cause fire or explosion hazard.
- In the case of fire, disconnect the appliance from the power supply before attempting adequate fire-extinguishing actions.
- Never attempt to extinguish fire with water if the appliance is connected to the power supply. Following extinction of fire, ensure sufficient fresh air inflow.
- Defrosting process may not be sped up with mechanical means or heat energy sources (candles or heaters) nor with any other means. Vapour produced may cause short-circuit and too high temperatures may damage the appliance.
- All ventilation slots should not be obstructed during operation.
- Never attempt to damage cooling installation of the appliance.

### **Operating personnel**

- This appliance is not intended to be used by persons (including children) with limited physical, sensory or mental capabilities, nor by persons with limited experience and/or limited knowledge.
- Children should be supervised to ensure that they are not playing with or switching the appliance on.
- Children aged 3 to 8 may load and unload the refrigerator.

### Improper Use

- Unintended or prohibited use may cause damage to the appliance.
- The appliance may only be used when its technical condition is flawless and allows for safe operation.
- The appliance may only be used when all connections are executed according to rules of law in force.
- The appliance may only be used when it is clean.
- Use only original spare parts. Never attempt to repair the appliance on your own.
- Do not introduce any changes in the appliance nor modify it.
  
- Do not drill hole in the appliance nor install any objects on it.
- Do not place any heavy objects on the appliance.

## 1.3 Intended Use

As described below, every use of the appliance for a purpose differing and/or diverging from its intended standard use, is prohibited and considered to be an unintended use.

The following is an intended use:

- Cooling of suitable beverages, snacks and fruit.

The appliance is intended for operation in ambient temperature of 32°C or less and relative humidity of 65%.

This appliance is intended for use in households and similar places, e.g.:

- in employee canteens in shops, offices, and similar areas;
- on farms;
- by customers in hotels, motels, and other typical accommodation establishments;
- in lodging-houses.

EN

## 1.4 Unintended Use

An unintended use may lead to personal injuries or property damages caused by hazardous voltage, fire or high temperature. The appliance may only be used to perform tasks described in this instruction manual.

The following is an unintended use:

- Storing of food products other than listed above, when the inside temperature may be insufficient to prevent decay of products.
- Storing flammable or explosive objects and liquids, such as ether, petroleum or adhesives;
- Storing explosive materials, like sprays filled with flammable propellants;
- Storing pharmaceutical products or preserved blood;
- Storing live pets.



## 2 General information

### 2.1 Liability and Warranty

All information and instructions in this instruction manual account for legal regulations in force, current level of technical engineering knowledge as well as our expertise and experience, developed over the years. If special models or additional options are ordered, or state-of-the-art technical solutions were implemented, the actual scope of delivery of the appliance may, in some circumstances, differ from descriptions and numerous drawings in this instruction manual.

The manufacturer is not liable for any damages nor faults stemming from:

- failure to observe instructions,
- unintended use,
- technical alterations introduced by the user,
- usage of unapproved spare parts.

We reserve the right to introduce technical modifications to the product, intended for improvement of the appliance and its performance.

The warranty period for this appliance is 24 months, counted from the purchase date.

EN

### 2.2 Copyright Protection

This instruction manual, and texts, drawings and images included in it, as well as its other components are copyright protected. It is prohibited to reproduce this instruction manual (including its excerpts), in any form and by any means, and to use and/or transfer its content to third parties without manufacturer's written permission. Violation of the above results in obligation to pay compensation. We reserve the right to claim further damages.

### 2.3 Declaration of Conformity

The appliance meets the currently applicable standards and guidelines of the European Union. We confirm the above in the EC Declaration of Conformity. We may provide relevant Declaration of Conformity upon request.

### 3 Transport, Packaging and Storage

#### 3.1 Delivery Check

Immediately upon reception, check the delivery for completeness and possible shipping damage. In the case of visible transport damage refuse to accept the appliance or accept it conditionally. Mark and note the scope of damage in shipping documents/consignment list of the shipping company and lodge a complaint. Concealed damage must be reported immediately upon its discovery, as compensation claims may only be filed within applicable time limits.

If you find that parts or accessories missing, please contact our Customer Service Department.

#### 3.2 Packaging

Do not dispose of the appliance cardboard box. It may be used to store the appliance when relocating or when shipping the appliance to our service point in the case of any damages.

The packaging and its elements are made of recyclable materials. Particularly, these are: plastic films and bags, cardboard box.

EN

When disposing of the packaging, observe applicable domestic regulations. Recyclable packaging materials should be recycled.

#### 3.3 Storage

Leave the packaging closed until installation of the appliance; observe external indications concerning method of placing and storage. Store the packaging in the following conditions only:

- in closed rooms;
- in dry and dust-free surrounding;
- away from aggressive agents;
- in a location protected against sunlight;
- in a location protected against mechanical shocks.

In the case of extended storage (over three months), make sure you check the condition of the packaging and the parts regularly. If needed, replace the packaging with a new one.

## 4 Technical Data

### 4.1 Technical Specifications

<b>Nazwa:</b>	<b>Refrigerator 34L</b>
Art. no.:	<b>700118</b>
Material:	Steel, painted
Inner material:	Plastic ABS
Volume, in l:	34
Temperature range, min.–max., in °C:	5 - 12
Ambient temperature, min.–max., in °C:	16 - 32
Amount of coolant, in kg:	R717 / 0,072
Climate class:	N
GWP index:	0
Energy consumption, in kWh/year:	230
Energy efficiency class:	G
Number of doors:	1
Number of shelves:	2
Shelves dimensions (W x D), in mm:	320 x 145
Load-bearing capacity of each shelf, max. in kg:	8
Number of the door shelves:	2
Load-bearing capacity of each door shelf, max. in kg:	5
Power supply:	0,065 kW   220-240 V   50 Hz
Dimensions (W x D x H), in mm:	402 x 470 x 557
Weight, in kg:	17,3

We reserve the right to implement technical modifications.

## Version / Characteristics

- Cooling: static
- Temperature control: manual, stepless
- Control: knob
- Automatic defrost function
- Evaporation of condensed water
- Insulation: cyclopentane, 45 mm
- Type of shelves: grate, white Rilsan coating
- Height-adjustable shelves
- Door type: leaf door
- right side, changeable door hinge
- Height-adjustable door shelves
- Possibility to be built in, fitting set included
- Lockable
- Internal lighting

EN

More information on the appliance is available in our website [www.bartscher.com](http://www.bartscher.com) or, pursuant to the Regulation (EU) 2019/2019, in our product data base at <https://energy-label.ec.europa.eu/>. Enter article number for a given model.

## 4.2 Functions of the Appliance

The appliance is designed for cooling and storage of suitable beverages, snacks or fruit.

### 4.3 List of Components of the Appliance



EN

Delivery without the contents!

- |                           |                         |
|---------------------------|-------------------------|
| 1. Temperature controller | 5. Door                 |
| 2. LED lighting           | 6. Door shelves (2 pcs) |
| 3. Ventilation openings   | 7. Shelf guides         |
| 4. Door seal              | 8. Lock                 |
| 5. Door                   | 9. Lower baseplate      |
| 6. Door shelves (2 pcs)   | 10. Shelves (2x)        |
| 7. Shelf guides           | 11. Housing             |
| 8. Lock                   |                         |
| 9. Lower baseplate        |                         |
| 10. Shelves (2x)          |                         |

## 5 Installation and operation

### 5.1 Installation

#### Unpacking / Positioning

- Unpack the appliance, remove all external and internal packaging elements and shipment safeguards.



#### CAUTION!

##### Choking hazard!

Prevent children from accessing package materials, for instance: plastic bags and EPS.

- If the appliance is covered with a protective film, remove it. Remove the film slowly, so no glue residues are left. Remove any glue residues with the use of a suitable solvent.
- Be careful not to damage the rating plate and warning labels fixed on the appliance.
- **Never** place the appliance in humid or wet environment.
- Place the appliance in a way making the connections easily accessible, so that they may be quickly disconnected if such a need arises.
- The appliance should be placed on surfaces that are:
  - even, with sufficient bearing capacity, resistant to water, dry and resistant to high temperatures;
  - sufficiently large, and thus enabling usage of the appliance with no problems;
  - easily accessible;
  - well ventilated.
- The appliance should be installed only in rooms, in which ambient temperature falls within the range of 16 °C – 32 °C.
- Leave at least 2 cm clearance from flammable walls and items.
- If the appliance is built in a cabinet, leave at least 2 cm clearance from rear wall, and 5 cm from top and bottom. The bottom clearance may be set with the height-adjustable feet.

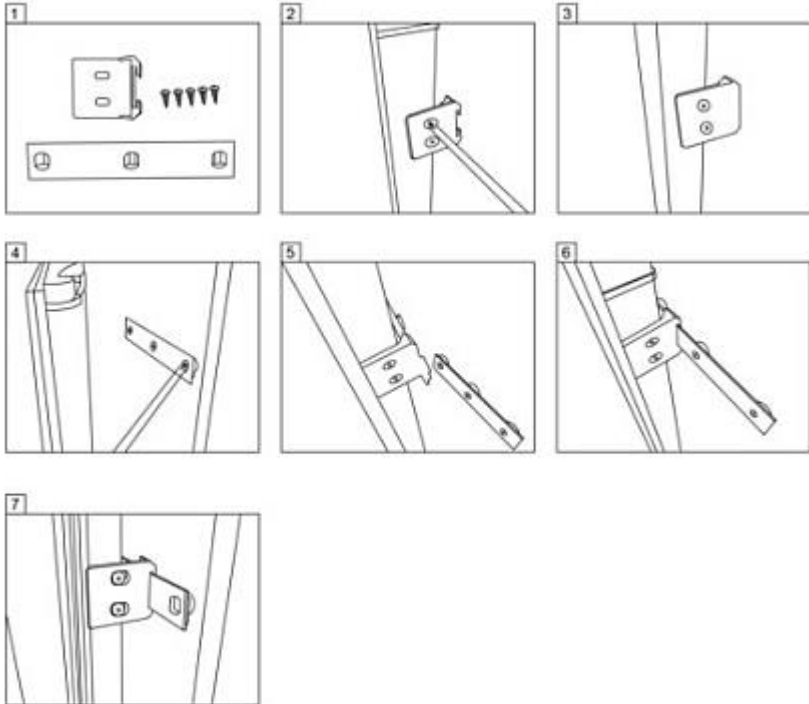
## Installation and operation

### Installation of Door Fitting Set

The appliance is provided with the furniture fitting set.

The fitting set is part of the delivery.

Proceed observing the figures below.



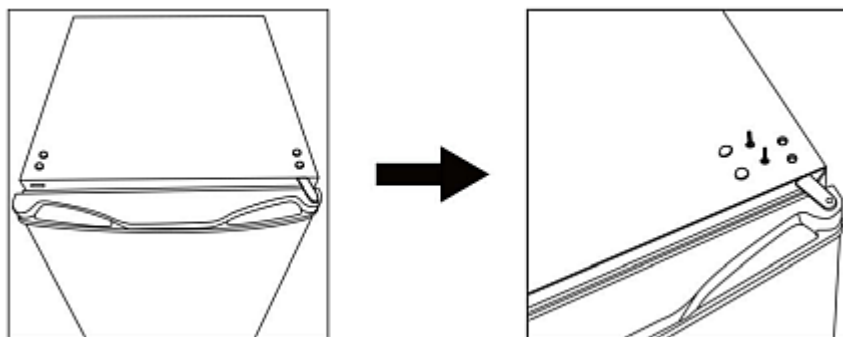
### Changing the Hinge Side

#### WARNING!

Before changing the door's hinge side, disconnect the appliance and pull the plug out of the socket.

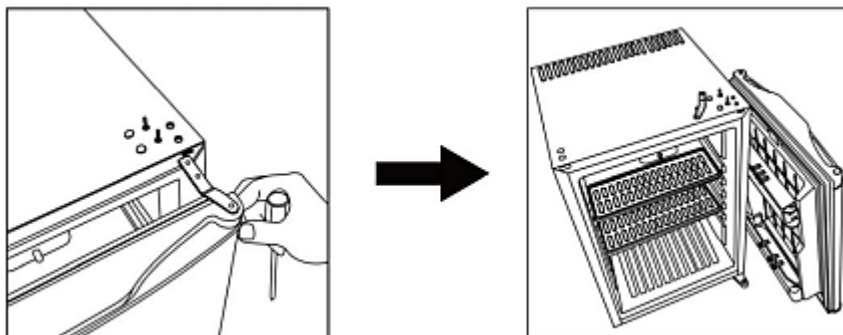
The hinges may be changed from right to left, as needed. Observe the following indications.

1. Remove the right-hand side top screws and their covers.

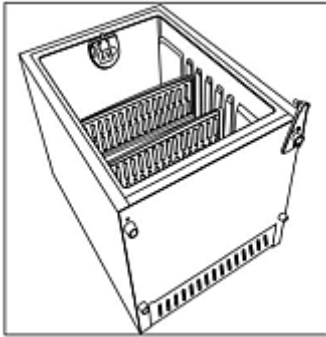


EN

2. Pull the door out and remove the hinge out of the door.

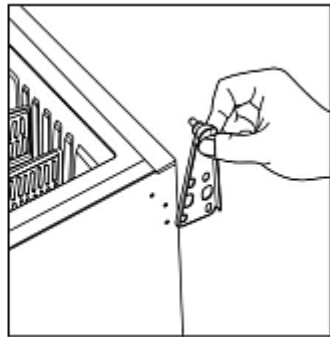
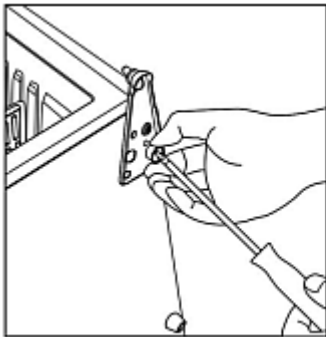






3. Lay down the refrigerator.

4. Remove the right-hand side bottom hinge.

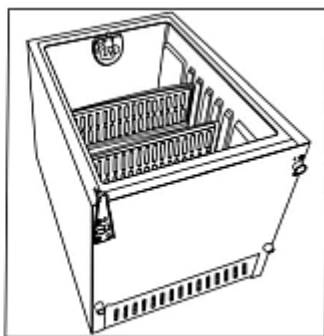
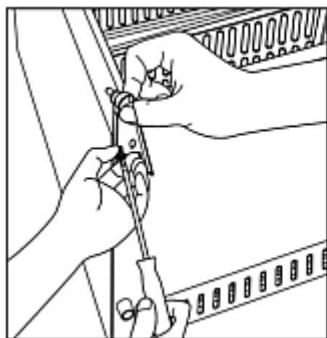


EN

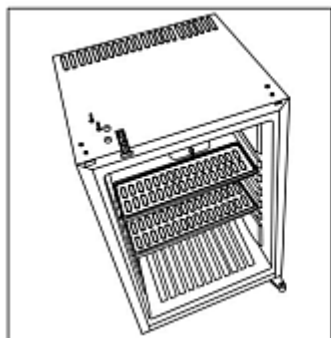


5. Fix the removed hinge at the left-hand side.

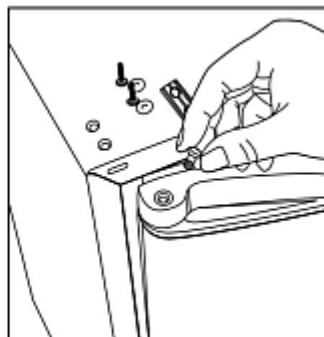
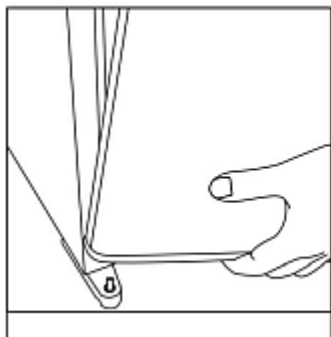
6. Fix the hinge with screws.

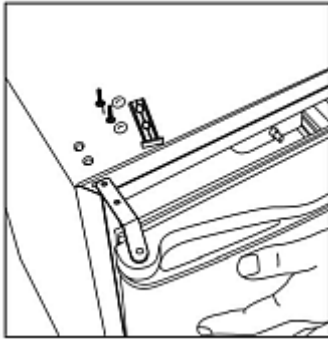


7. Remove the left-hand side top screws and their covers.



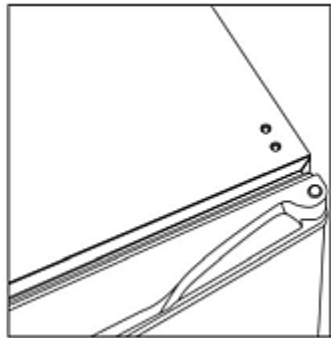
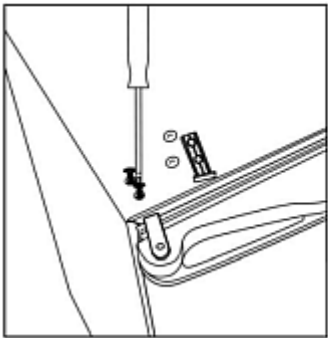
8. Place the door on the hinge.



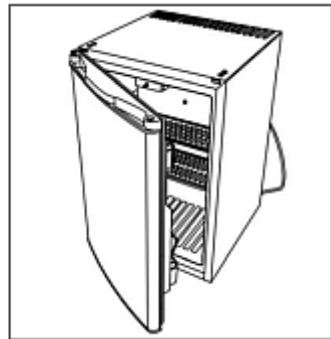
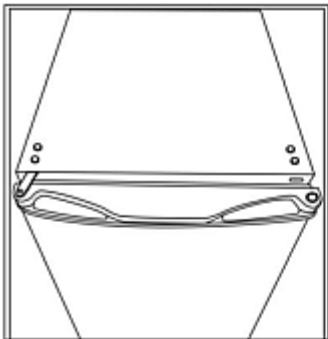


9. Fix the left hinge on the door.

10. Fit the hinge and fix it with screws. To end with, fit the cover.



EN



### Power supply connection

- Verify if technical data of the appliance (see rating plate) correspond with the local electric power grid specification.
- Connect the appliance to a single, properly grounded mains socket with protective contact. Do not connect the appliance to a multi-socket.
- The power cord should be laid in a way preventing anyone from threading on it or tripping against it.
- Prior to first use or after the relocation, the appliance should be installed and left standing upright for at least 30 minutes, before it is connected to power supply.
- After a power failure or when the plug is removed from the socket, do not reconnect the appliance to power supply for at least 5 minutes.

## 5.2 Operation

### Tips for the User

- Shelves may be positioned at various heights. Arrange them adequately to the size of beverage containers, so that the inner space is used optimally.
- Beverages or snacks should be arranged on the shelves or door shelves so that proper distances between them allow for sufficient air circulation inside the appliance. Insufficient distances hinder the cooling effect.
- To limit loss of cold air minimize the opening time of door during operation. Do not open the door too frequently.
- If the appliance is switched off for a longer period of time, the door of the refrigerator should remain open.

### Preparation of the Appliance

1. Prior to first operation, clean the appliance and its equipment according to instructions in section **6 "Cleaning"**.
2. To end with, dry the appliance and accessories thoroughly.
3. Introduce the shelves into the appliance at the selected height.
4. Fix the shelves in the door.

### Operation of the Appliance

1. Plug the appliance into a suitable single socket.
2. Set the desired temperature using the temperature control knob. It is located in internal compartment ceiling.

The temperature range may be selected steplessly, up to the MAX setting.

The MAX setting is the highest temperature setting.

3. Place suitable beverages or snacks on shelves or on door shelves. Mind the maximum load-bearing capacity of shelves.
4. Close the appliance door.

## 6 Cleaning and Maintenance

### 6.1 Safety Instructions for Cleaning

- Before cleaning, disconnect the appliance from the power supply.
- Leave the appliance to cool down completely.
- Make sure water does not enter the appliance. Do not immerse the appliance in water or other liquids during cleaning. Do not clean the appliance with a pressurized water jet.
- Do not use any sharp or pointed, nor metal implements (knife, fork, etc.). Sharp or pointed implements may damage the appliance, and when in contact with live parts, they may cause electric shock.
- For cleaning, do not use any scouring agents that contain solvents nor corrosive cleaning agents. They may damage the surface.

### 6.2 Cleaning

1. Clean the appliance regularly.
2. Remove all objects from the appliance and store them temporarily in a cool room.
3. Remove the shelves from the appliance, as well as the door shelves.
4. Clean the shelves and the door shelves with mild washing agent and soft cloth or sponge in warm water.
5. Rinse the cleaned shelves with clean water and dry thoroughly with soft cloth.
6. Wipe the internal and external surfaces of the appliance with a soft, damp cloth. Use mild cleaning agent if required.
7. To end with, wipe the cleaned surfaces with a cloth moistened in clean water.

8. Clean the door and the door seal of the appliance with a soft, damp cloth and a mild cleaning agent.
9. Finally, dry thoroughly all washed surfaces.
10. Reinsert the shelves and the door shelves in the appliance.
11. After cleaning, leave the door open for the appliance to dry completely.
12. If the appliance is not to be used for a longer period of time, clean it according to the instructions above. Leave the appliance open to prevent generation of mould and unpleasant odours inside.

### 6.3 Maintenance

- Let the appliance to be inspected by professional technician at least once a year or as required.

## 7 Possible Malfunctions

The table below contains descriptions of possible causes and solutions to malfunctions or errors during operation of the appliance. When malfunction cannot be removed, contact the technical service.

EN

In such a case, provide article number, model name and serial number. These data may be found in the rating plate.

Error	Possible Cause	Solution
No functions available	Plug improperly inserted into a socket.	Remove the plug and insert it properly in the socket.
	Electric power supply safety fuse damaged.	Check the fuse, connect the appliance to another socket.
	No power supply.	Check electric power supply.
	Damaged socket.	Plug the appliance into another socket.

## Possible Malfunctions

Error	Possible Cause	Solution
No functions available	Damaged mains power plug.	Contact the service company.
	Temperature controller not set (it is in OFF position)	Set the temperature.
The appliance does not reach the cooling temperature.	Temperature is not set correctly.	Set the temperature.
	Ambient temperature too high.	Mind the ambient temperature ('Technical Specifications').
	The appliance is not level.	Make sure the appliance is located on an even surface.
	Beverages and snacks in the appliance are too warm.	Place beverages and snack in the appliance, cooling them beforehand.
	The appliance is overfilled.	Remove the excess of objects.
	Door is opened for too long.	Shorten the door opening time.
	Door is not closed properly.	Make sure the door is closed correctly.

### The following phenomena are not malfunctions:


- Various sounds that are generated by the cooler during operation are a normal phenomenon and do not indicate any malfunctions.
- Splashing, bubbling and hums are generated by the coolant that circulates the system.
- Short, louder whirring/hooting or clicking sounds may be heard when the compressor of the appliance starts.

### Spare Parts

Spare parts for the purpose of repairing this appliance, as stipulated in Annex II to the REGULATION (EU) 2019/2019, are available for at least seven years, counted from the date of introduction of the last appliance of this model to market.

## 8 Disposal

### Electrical Appliance

	<p>Electric appliances are marked with this symbol. Electrical appliances must be disposed of and recycled in a correct and environmentally friendly manner. You must not dispose of electric appliances with household waste. Disconnect the appliance from the power supply and remove power cord from the appliance.</p>
---	---

Electrical appliances should be returned to designated collection points.

### Coolant

The propellant used in the appliance is flammable. It should be utilised pursuant to national regulations in force.