

1/1 2200 E - 2x4L 2200 E



500830 - 500840

Bartscher GmbH
Franz-Kleine-Str. 28
D-33154 Salzkotten
Germany

Phone: +49 5258 971-0

Fax: +49 5258 971-120

Technical Support Hotline: +49 5258 971-197

www.bartscher.com



Version: 3.0

Date of preparation: 2023-02-10

Original instruction manual

1	Safety	2
1.1	Explanation of Signal Words	2
1.2	Safety instructions.....	3
1.3	Intended Use	6
1.4	Unintended Use	6
2	General information	7
2.1	Liability and Warranty	7
2.2	Copyright Protection	7
2.3	Declaration of Conformity	7
3	Transport, Packaging and Storage	8
3.1	Delivery Check.....	8
3.2	Packaging	8
3.3	Storage	8
4	Technical Data.....	9
4.1	Technical Specifications	9
4.2	List of Components of the Appliance	11
4.3	Functions of the Appliance.....	12
5	Installation and operation	13
5.1	Installation.....	13
5.2	Operation	14
6	Cleaning	17
6.1	Safety Instructions for Cleaning	17
6.2	Cleaning.....	17
7	Disposal.....	18



Read this instruction manual before using and keep it available at all times!

This instruction manual contains information about installation, operation and maintenance of the appliance and constitutes an important source of information and reference guide. The knowledge of all operational and safety instructions included in this manual is a prerequisite for safe and proper handling of the appliance. Additionally, accident prevention, occupational health and safety, and legal regulations in force in the area the appliance is used apply.

Before you start using the appliance, especially before turning it on, read this instruction manual in order to avoid personal injuries and property damages. Improper use may cause damage.

This instruction manual forms an integral part of the product and must be stored in an immediate vicinity of the appliance and be available at all times. The instruction manual should be transferred together with the appliance.

1 Safety

This appliance has been manufactured in accordance with technical standards currently in force. However, the appliance may be a source of hazards if used improperly or contrary to its intended purpose. All persons using the appliance must consider information included in this instruction manual and observe safety instructions.

1.1 Explanation of Signal Words

Important safety instructions and warning information are indicated in this instruction manual with appropriate signal words. You must strictly follow the instructions, to prevent accidents, personal injuries and property damages.



DANGER!

The signal word **DANGER** warns against hazards that lead to severe injuries or death if the hazards are not avoided.



WARNING!

The signal word **WARNING** warns against hazards that may lead to moderate or severe injuries or death if the hazards are not avoided.



CAUTION!

The signal word **CAUTION** warns against hazards that may lead to light or moderate injuries if the hazards are not avoided.

IMPORTANT!

The signal word **IMPORTANT** indicates possible property damages, which may occur if safety instructions are not observed.

NOTE!

The symbol **NOTE** indicates subsequent information and guidelines for the user on usage of the appliance.

1.2 Safety instructions

Electrical Current

- Too high a mains voltage or incorrect installation may cause electric shock.
- The appliance may be connected only if data on the rating plate correspond with the mains voltage.
- To avoid short-circuit, the appliance should be kept dry.
- If there are malfunctions during operation, disconnect the appliance from the power supply.
- Do not touch the appliance's plug with wet hands.
- Never take hold of the appliance if it has fallen into water. Immediately disconnect the appliance from the power supply.
- Any repairs or housing opening may be carried out by professionals and relevant workshops only.
- Do not transport the appliance, holding it by the power cord.
- Do not allow the power cord to come into contact with heat sources or sharp edges.
- Do not bend, pinch nor knot the power cord.

- Always completely unwind the power cord.
- Never place the appliance or other objects on the power cord.
- Always take hold of the plug to disconnect the appliance from the power supply.
- Check the power cord regularly for damage. Do not use the appliance if the power cord is damaged. If this cable is damaged, it must be replaced by customer service or a qualified electrician in order to avoid dangers.

Flammable Materials

- Never subject the appliance to contact with high temperature sources, e.g.: oven, furnace, open flame, heat generating devices, etc.
- To avoid fire hazard, clean the appliance regularly.
- Do not cover the appliance with, e.g., aluminium foil or cloths.
- Use the appliance only with materials designated to this end and with correct temperature settings. Materials, groceries and left-overs remaining in the appliance may catch fire.
- Never use the appliance near flammable or inflammable materials, e.g.: petrol, spirit, alcohol, etc. High temperature triggers evaporation of these materials, and, as a result of contact with sources of ignition, an explosion may occur.
- In case of fire, disconnect the appliance from the power supply before attempting suitable fire-extinguishing actions.
- Never attempt to extinguish fire with water if the appliance is connected to the power supply. Following extinction of fire, ensure sufficient fresh air inflow.

Hot Surfaces

- Surfaces of the appliance become hot during operation. Burning hazard! High temperature remains for some time after switching the appliance off.
- Do not touch any hot surfaces of the appliance. Use the provided handling elements and holders.
- You may transport and clean the appliance after it cools down entirely.
- It is prohibited to sprinkle hot surfaces with cold water or flammable liquids.

Safety

Supervised Usage only

- Only supervised appliance may be used.
- Always remain in an immediate vicinity of the appliance.

Operating Personnel

- The appliance may only be operated by qualified personnel and trained specialist personnel.
- This appliance may not be operated by persons (including children) with limited physical, sensory or mental capabilities, nor by persons with limited experience and/or limited knowledge.
- Children should be supervised to ensure that they are not playing with or switching on the appliance.

Improper use

- Unintended or prohibited use may cause damage to the appliance.
- The appliance may only be used in a technically flawless condition, providing for safe use.
- The appliance may only be used with connections in a technically flawless condition, providing for safe use.
- The appliance may only be used clean.
- Use only original spare parts. Never attempt to repair the appliance on your own.
- Do not attempt to modify nor alter the appliance.

1.3 Intended Use

As described below, every use of the appliance for a purpose differing and/or diverging from its intended standard use, is prohibited and considered to be an unintended use.

The following is an intended use:

- Keeping the prepared food warm in GN containers and inserts.

1.4 Unintended Use

An unintended use may lead to personal injuries or property damages caused by hazardous voltage, fire or high temperature. The appliance may only be used to perform tasks described in this instruction manual.

The following is an unintended use:

- Food preparation.

2 General information

2.1 Liability and Warranty

All information and instructions in this instruction manual account for legal regulations in force, current level of technical engineering knowledge as well as our expertise and experience, developed over the years. If special models or additional options are ordered, or state-of-the-art technical solutions were implemented, the actual scope of delivery of the appliance may, in some circumstances, differ from descriptions and numerous drawings in this instruction manual.

The manufacturer is not liable for any damages nor faults stemming from:

- failure to observe instructions,
- unintended use,
- technical alterations introduced by the user,
- usage of unapproved spare parts.

We reserve the right to introduce technical modifications to the product, intended for improvement of the appliance and its performance.

2.2 Copyright Protection

This instruction manual, and texts, drawings and images included in it, as well as its other components are copyright protected. It is prohibited to reproduce this instruction manual (including its excerpts), in any form and by any means, and to use and/or transfer its content to third parties without manufacturer's written permission. Violation of the above results in obligation to pay compensation. We reserve the right to claim further damages.

EN

2.3 Declaration of Conformity

The appliance meets the currently applicable standards and guidelines of the European Union. We confirm the above in the EC Declaration of Conformity. We may provide relevant Declaration of Conformity upon request.

3 Transport, Packaging and Storage

3.1 Delivery Check

Immediately upon reception, check the delivery for completeness and possible shipping damage. In the case of visible transport damage refuse to accept the appliance or accept it conditionally. Mark and note the scope of damage in shipping documents/consignment list of the shipping company and lodge a complaint. Concealed damage must be reported immediately upon its discovery, as compensation claims may only be filed within applicable time limits.

If you find that parts or accessories missing, please contact our Customer Service Department.

3.2 Packaging

Do not dispose of the appliance cardboard box. It may be used to store the appliance when relocating or when shipping the appliance to our service point in the case of any damages.

The packaging and its elements are made of recyclable materials. Particularly, these are: plastic films and bags, cardboard box.

When disposing of the packaging, observe applicable domestic regulations. Recyclable packaging materials should be recycled.

3.3 Storage

Leave the packaging closed until installation of the appliance; observe external indications concerning method of placing and storage. Store the packaging in the following conditions only:

- in closed rooms;
- in dry and dust-free surrounding;
- away from aggressive agents;
- in a location protected against sunlight;
- in a location protected against mechanical shocks.

In the case of extended storage (over three months), make sure you check the condition of the packaging and the parts regularly. If needed, replace the packaging with a new one.

4 Technical Data

4.1 Technical Specifications

Name:	Chafing dish 1/1 2200 E
Art. No.:	500830
Material:	chrome-nickel steel, plastic
Lid material:	chrome-nickel steel
Handles material:	chrome-nickel steel
Temperature range, min.–max., in °C:	10 - 85
Volume, in l:	13,5
Gastronorm:	1/1
Max. GN container depth, in mm:	100
Connected load:	2,2 kW 230 V 50 Hz
Dimensions (W x D x H), in mm:	636 x 357 x 287
Weight, in kg:	6,2

EN

We reserve the right to implement technical modifications.

Version / Characteristics — Chafing-Dish 500830

- Heating type: electric
- Control: electronic, knob
- Temperature control: 8 levels, thermostatic
- Functions: warm-keeping
- Lid features: removable, with handle
- Indicator lights: heating
- The set includes: 2 support legs to hold the lid

Name:	Hot-pot station 2x4L 2200 E
Art. No.:	500840
Material:	chrome-nickel steel, plastic
Lid material:	chrome-nickel steel
Handles material:	chrome-nickel steel
Temperature range, min.–max., in °C:	10 - 85
Number of inserts:	2
Capacity of each insert, in l:	4
Connected load:	2,2 kW 230 V 50 Hz
Dimensions (W x D x H), in mm:	636 x 357 x 460
Weight, in kg:	7,0

We reserve the right to implement technical modifications.

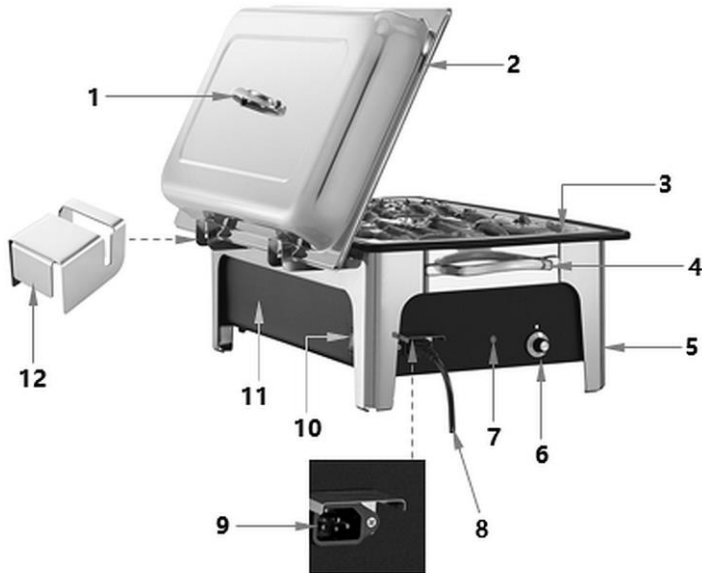
EN

Version / Characteristics — Hot-Pot Station 500840

- Heating type: electric
- Control: electronic, knob
- Functions: warm-keeping
- Lid properties:
 - removable, with handle
 - spoon recess
- Indicator lights: heating
- The set includes:
 - 2 lid holders
 - 2 soup ladles

4.2 List of Components of the Appliance

500830



EN

Fig. 1

- | | |
|-------------------------------------|---------------------------|
| 1. Lid handle | 2. Lid |
| 3. GN container | 4. Base holder (2 pcs) |
| 5. Base | 6. Temperature controller |
| 7. Heating up indicator light | 8. Power cord |
| 9. Appliance plug-in socket | 10. ON/OFF switch |
| 11. Water tank with heating element | 12. Lid holder (2 pcs) |

500840

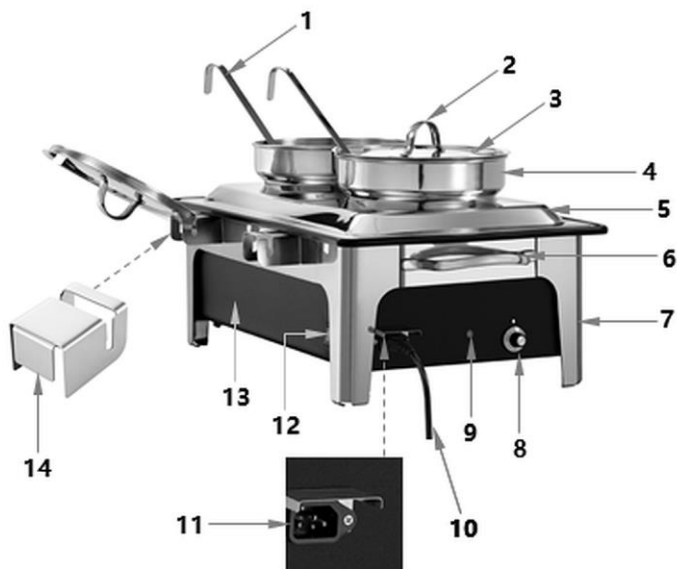


Fig. 2

- | | |
|-------------------------------------|---------------------------|
| 1. Soup ladle (2 pcs) | 2. Lid handle (2 pcs) |
| 3. Lid (2 pcs) | 4. Insert (2 pcs) |
| 5. Intermediate plate | 6. Base holder (2 pcs) |
| 7. Base | 8. Temperature controller |
| 9. Heating up indicator light | 10. Power cord |
| 11. Appliance plug-in socket | 12. ON/OFF switch |
| 13. Water tank with heating element | 14. Lid holder (2 pcs) |

4.3 Functions of the Appliance

The appliance is designed to keep prepared food warm at a set temperature and is suitable for serving hot food in buffets, catering or event service.

5 Installation and operation

5.1 Installation

Unpacking / Positioning

- Unpack the appliance, remove all external and internal packaging elements and shipment safeguards.



CAUTION!

Choking hazard!

Prevent children from accessing package materials, for instance: plastic bags and EPS.

- If the appliance is covered with a protective film, remove it. Remove the film slowly, so no glue residues are left. Remove any glue residues with the use of a suitable solvent.
- Be careful not to damage the rating plate and warning labels fixed on the appliance.
- **Never** place the appliance in humid or wet environment.
- Place the appliance in a way making the connections easily accessible, so that they may be quickly disconnected if such a need arises.
- The appliance should be placed on surfaces that are:
 - even, with sufficient bearing capacity, resistant to water, dry and resistant to high temperatures;
 - sufficiently large, and thus enabling usage of the appliance with no problems;
 - easily accessible;
 - well ventilated.
- Maintain sufficient clearance from table edges. The appliance might turn over and fall down.
- Leave at least 20 cm clearance from flammable walls and items.

Power supply connection

- Verify if technical data of the appliance (see rating plate) correspond with the local electric power grid specification.
- Connect the appliance to a single, properly grounded mains socket with protective contact. Do not connect the appliance to a multi-socket.
- The power cord should be laid in a way preventing anyone from threading on it or tripping against it.
- Do not use the appliance with an external timer or remote control.

5.2 Operation

WARNING!

The appliance may only be used to store already prepared food products!

Remember to keep food products warmed for a maximum of 2 hours (including preparation, storage and serving) in order to ensure food safety!

EN

Appliance Preparation

1. Prior to the first use clean the appliance and its components thoroughly observing instructions in section **6 'Cleaning'**.
2. Dry all cleaned elements and surfaces thoroughly.



Fig. 3

3. Next, place the water tank in the base.
4. Fit the enclosed lid holders onto the appliance.
5. Pour water into the water tank up to the water level marker.

ATTENTION!

Never use the appliance without water!

Ensure that the water level does not drop below the max. mark so that containers with dishes do not float.

NOTE!

Pour warm water into the tank — it will save time and energy!

6. Fit the intermediate plate on the 500840 appliance.
7. Place warm dishes in appropriate GN containers or inserts and then place them in the water tank.

WARNING!

During operation, spilled liquids and food can cause burns.

Never overfill food containers.

8. Always connect the power cord first to the appliance plug-in socket and then to appropriate single socket.

The appliance is now ready for maintaining the food temperature.

Switching the Appliance ON

1. Place the lid on a GN container or an insert.
2. Switch the appliance on with the ON/OFF switch.

The red power indicator light in the ON/OFF switch lights up.

Temperature Control

The temperature is adjusted using the temperature controller (levels 1–8). The maximum temperature setting is achieved by turning the temperature controller clockwise, into position '8'. At such setting water in the tank is heated up to approx. 85°C. The heating indicator light next to the temperature controller is switched on during heating. The indicator light goes off after reaching the pre-set temperature. When temperature in the water tank drops by approx. 10°C, the indicator light comes on again and water in the tank is reheated to pre-set temperature.

If a lower dish temperature is required, rotate the temperature controller counter-clockwise to a setting below '8'.

Keeping Food Warm / Serving

Food in a GN container or in inserts is kept warm by heating the water in the water tank.

1. To take warm food from a container, remove the lid and set it down on the lid holder.

WARNING! Risk of burns!

When removing the lid and taking dishes out, hot steam may escape, leading to burns.

Take extra care when removing the lid and serving dishes.



Fig. 4

2. Serve warm food and replace the lid to avoid temperature drop.

Switching the Appliance OFF

1. When the appliance is not to be used any more, it should be switched off with the ON/OFF switch.
2. First, unplug the appliance from the socket outlet and then remove the power cord from the appliance plug-in socket.
3. Before pouring the water out, leave the appliance and water in the water tank to cool down.

6 Cleaning

6.1 Safety Instructions for Cleaning

- Before cleaning, disconnect the appliance from the power supply.
- Leave the appliance to cool down completely.
- Make sure water does not enter the appliance. Do not immerse the appliance in water or other liquids during cleaning. Do not clean the appliance with a pressurized water jet.
- Do not use any sharp or pointed, nor metal implements (knife, fork, etc.). Sharp or pointed implements may damage the appliance, and when in contact with live parts, they may cause electric shock.
- For cleaning, do not use any scouring agents that contain solvents nor corrosive cleaning agents. They may damage the surface.

6.2 Cleaning

1. Clean the appliance regularly after end of each working day, or more frequently if needed.
2. Remove the lid(s).
3. In the case of the 500830 appliance, pull out the GN container.
4. In the case of the 500840 appliance, pull out the inserts with soup ladles and remove the intermediate plate, too.
5. Remove the lid holder.
6. Remove the water tank from the base.
7. Clean the removed elements thoroughly in warm water, using a mild washing agent and a soft cloth or sponge.
8. Rinse cleaned elements in fresh water.
9. Clean the base with a soft, damp cloth.
10. Dry the appliance and cleaned parts thoroughly with a soft cloth.
11. Wipe the power cord with a slightly damp soft cloth only.
12. In the case of intensive use periodically remove the scale deposits from the water tank bottom. To this end, use vinegar or a special descaling agent. Follow the manufacturer's instructions of such an agent.

7 Disposal

Electrical Appliance



Electric appliances are marked with this symbol. Electrical appliances must be disposed of and recycled in a correct and environmentally friendly manner. You must not dispose of electric appliances with household waste. Disconnect the appliance from the power supply and remove power cord from the appliance.

Electrical appliances should be returned to designated collection points.