

**7EN60400**



**300089**

## Technical data

<b>Name</b>	<b>Clearing trolley 7EN60400</b>
Code-No.:	<b>300089</b>
Material:	Stainless steel
Realization:	<ul style="list-style-type: none"> <li>▪ Designed for: <ul style="list-style-type: none"> <li>- Euronorm 600 x 400 mm***</li> </ul> </li> <li>▪ Depth GN container, max.: 65 mm</li> <li>▪ Trays can be inserted from both sides</li> <li>▪ One container latch each on the front and rear</li> <li>▪ Frame made of square tubes 25 x 25 mm</li> <li>▪ Swivel castors, Ø 100 mm 4 swivel castors, 2 with breaks</li> <li>▪ Wheel buffers: 4, plastic</li> <li>▪ Easy assembly kit</li> </ul>
Slots:	7
Distance between slots:	80 mm
Carrying capacity:	total: max.: 60 kg per slot, max.: 8 kg Storage space: 5 kg
Dimensions:	W 535 x D 685 x H 1010 mm
Size of storage space	W 470 x D 685 mm
Weight:	14 kg

We reserve the right to implement the technical modifications!

**\*\*\* Not included in delivery:**  
Containers, trays, grids

## Delivery status (figs. 1 and 2)

1	2 x side elements with preassembled slots and 1 container latch each	5	2 swivel castors without brakes
		6	2 x swivel castors with brakes
2	1 x storage space	7	4 x buffers for swivel castors
3	2 x cross member		Allen key (no fig.)
4	8 x bolt 8 x bolt washer		

## Assembly

1. Unpack all elements and verify for delivery completeness (table above). Remove all the packaging material.

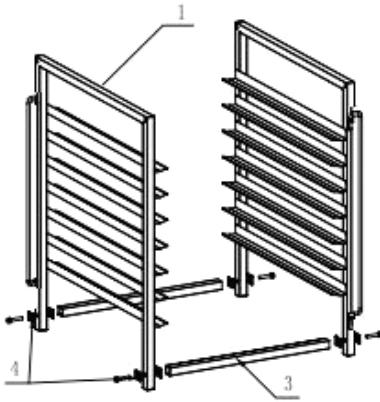
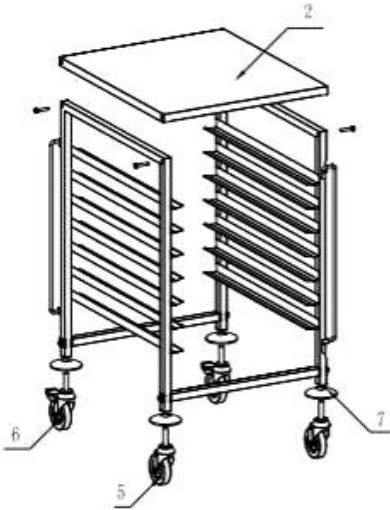
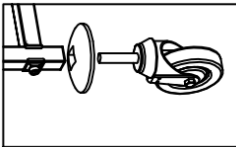


Fig. 1

2. First, attach both cross members (3) to one of the pre-assembled side elements (1) of the clearing trolley. Place a square washer between the cross member and side element and between the side element and bolt, and tighten those elements with the use of the Allen key.
3. Fasten the cross members (3) to the other side element (1), as described above.



4. Fix the upper storage shelf (2) to the side elements with the use of the supplied bolts.

**Fig. 2**

5. Lay the cleaning trolley on its side or place it on the storage shelf (2).

Attach the buffers (7) to the side elements (1) and screw 4 swivel castors (5 + 6) to the side elements (1).

We recommend to assemble the swivel castors and breaks cornerwise.



6. Place the cleaning trolley on the swivel castors and check its stability.
7. The cleaning trolley may be aligned by adjusting the swivel castors.

8. After placing the cleaning trolley in a required place lock 2 castors with breaks to prevent the accidental relocation or falling down.

## User instructions

- Place the appropriate containers in the clearing trolley slots.



- Secure the containers at the front and rear with the container latches by lifting them up and bolting in front of the containers.



## Cleaning

- Clean the clearing trolley periodically with a damp, soft cloth.
- Never use cleaning agents that may damage the surface of the trolley.
- Dry the clearing trolley with a soft cloth.

Bartscher GmbH  
Franz-Kleine-Str. 28  
33154 Salzkotten  
Germany

phone: +49 (0) 5258 971-0  
fax: +49 (0) 5258 971-120