



300084

Getränkekisten-
Transportwagen

D/A/CH

Bottle crate
trolley

GB/UK

Chariot de transport
de caisses de boissons

F/B/CH

Carrello per casse
di bottiglie

I/CH

Carrito de transporte
para cajas de bebidas

E

Carro para transporte
de caixas com bebidas

P

Drankenkratten-
transportwagen

NL/B

Transportvogn til transport
af kasser med drikke

DK

Тележка для транспортировки
бутылочных ящиков

RUS

İçecek kasası
nakli arabası

TR

Wozek do transportu
skrzynek z napojami

PL

Přepavní vozík
na napojeve bedny

CZ

Kolica za prijevoz
sanduka s bocama

HR

Italosrekesz-
szallitokocsi

H

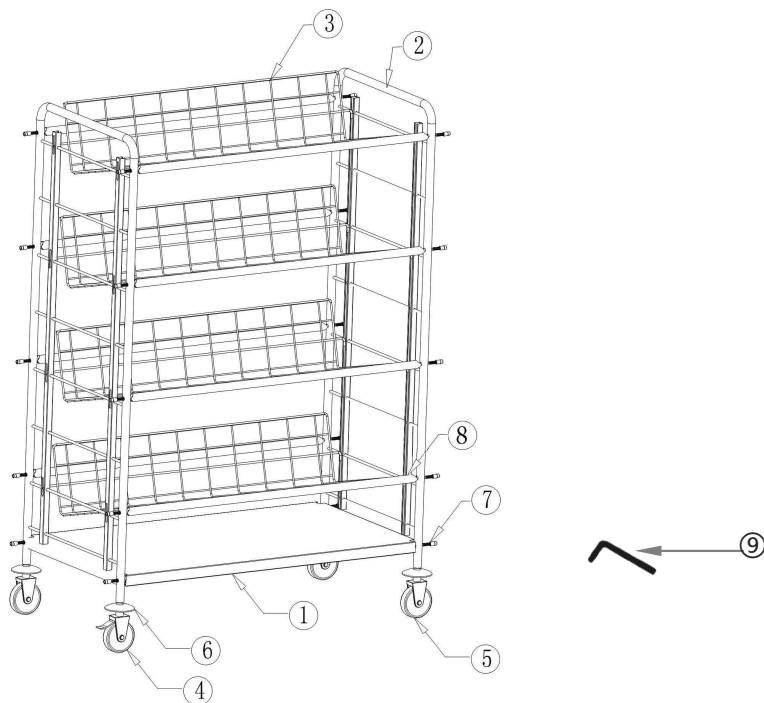
Καρότσι μεταφοράς
για καφάσια αναψυκτικών

GR

PRODUCT DESCRIPTION

- Name: • **Bottle crate trolley with 4 grid shelves**
- Article number: • **300084**
- Material: • Chrome-nickel steel
- Construction: • 4 grid shelves 1000 x 360 mm, each suitable for two standard bottle crates 400 x 300 mm or three bottle crates 300 x 200 mm;
4 rubber swivel wheels, Ø 125 mm,
2 with brakes
- Clearance between grid shelves • 345 mm
- Dimensions: • W 1080 x D 570 x H 1 610 mm
- Capacity: • approx. 120 kg
- Weight: • 35.0 kg
-

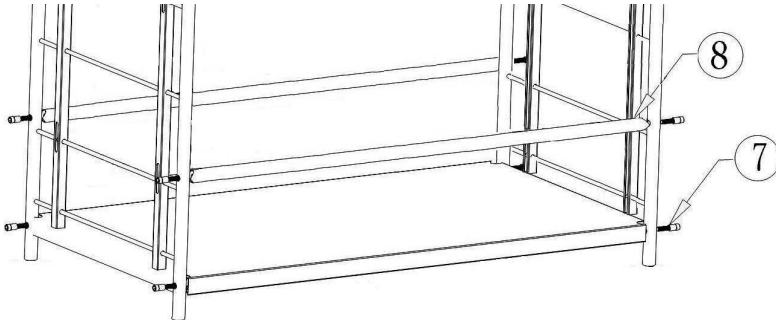
Delivery contents/technical description



- ① 1 x bottom shelf
- ② 2 x side elements
- ③ 4 x grid shelves
- ④ 2 x swivel wheels with brake
- ⑤ 2 x swivel wheels
- ⑥ 4 x swivel wheel shields
- ⑦ 20 x screws M8x40
- ⑧ 8 x crossbars
- ⑨ 1 x hex wrench

Assembly instructions

1. First, remove all the individual elements and check that everything is present. Dispose properly of all packing material.
2. Assemble the bottle crate trolley according to the following instructions and diagrams. For easy assembly, have someone assist you. Use the supplied hex wrench during assembly.



3. Begin assembly from the bottom shelf. Insert the side elements into the holes in the bottom shelf and fix them using the 4 M8x40 screws. The screws should not be inserted too tightly to enable installation of the crossbars (**see diagram above**).
4. Next, fix each crossbar to the side elements using 2 M8x40 screws. Each grid shelf takes 2 crossbars (at the front and rear) (**see diagram above**).
5. After fixing all the crossbars, use the hex key to tighten the screws on the bottom shelf.
6. Place the trolley on its side and mount the swivel wheels to the side elements. Place the shields over the wheels before inserting them into the holes in the side elements. For optimal results place the wheels with brakes at the rear of the trolley.
7. Place the trolley on its wheels and check that it is stable. To level the trolley, screw the swivel wheels in or out as necessary.

8. Next, place the 4 grid shelves on the trolley.
9. Insert the grid shelves into the side element guides. Ensure the shelves are securely placed on the crossbars at both the front rear (**diagram at right**).



Tips for the user

- When the trolley has been transported to its destination, block the swivel wheels to prevent the trolley from being moved or tipped over.
- Place appropriate bottle crates on the cart (see "**Product description**").
- Clean the trolley with a soft, moist cloth. **Never** use abrasive cleaning substances that could damage the trolley's surface.



Bartscher GmbH
Franz-Kleine-Str. 28
D-33154 Salzkotten
Germany

phone: +49 (0) 5258 971-0
fax: +49 (0) 5258 971-120