

WP230S-EB 1/1



114371

Bartscher GmbH
Franz-Kleine-Str. 28
D-33154 Salzkotten
Germany

Phone: +49 5258 971-0

Fax: +49 5258 971-120

Technical Support Hotline: +49 5258 971-197

www.bartscher.com



Version: 1.0

Date of preparation: 2022-09-20

Original instruction manual

1	Safety	2
1.1	Explanation of Signal Words	2
1.2	Safety instructions.....	3
1.3	Intended Use	6
1.4	Unintended Use	6
2	General information	7
2.1	Liability and Warranty	7
2.2	Copyright Protection	7
2.3	Declaration of Conformity	7
3	Transport, Packaging and Storage	8
3.1	Delivery Check.....	8
3.2	Packaging	8
3.3	Storage	8
4	Technical Data.....	9
4.1	Technical Specifications	9
4.2	List of Components of the Appliance	10
4.3	Functions of the Appliance.....	10
5	Installation and operation	11
5.1	Installation.....	11
5.2	Operation	13
6	Cleaning	15
6.1	Safety Instructions for Cleaning	15
6.2	Cleaning.....	15
7	Disposal.....	16



Read this instruction manual before using and keep it available at all times!

This instruction manual contains information about installation, operation and maintenance of the appliance and constitutes an important source of information and reference guide. The knowledge of all operational and safety instructions included in this manual is a prerequisite for safe and proper handling of the appliance. Additionally, accident prevention, occupational health and safety, and legal regulations in force in the area the appliance is used apply.

Before you start using the appliance, especially before turning it on, read this instruction manual in order to avoid personal injuries and property damages. Improper use may cause damage.

This instruction manual forms an integral part of the product and must be stored in an immediate vicinity of the appliance and be available at all times. The instruction manual should be transferred together with the appliance.

1 Safety

This appliance has been manufactured in accordance with technical standards currently in force. However, the appliance may be a source of hazards if used improperly or contrary to its intended purpose. All persons using the appliance must consider information included in this instruction manual and observe safety instructions.

1.1 Explanation of Signal Words

Important safety instructions and warning information are indicated in this instruction manual with appropriate signal words. You must strictly follow the instructions, to prevent accidents, personal injuries and property damages.



DANGER!

The signal word **DANGER** warns against hazards that lead to severe injuries or death if the hazards are not avoided.



WARNING!

The signal word **WARNING** warns against hazards that may lead to moderate or severe injuries or death if the hazards are not avoided.



CAUTION!

The signal word **CAUTION** warns against hazards that may lead to light or moderate injuries if the hazards are not avoided.

IMPORTANT!

The signal word **IMPORTANT** indicates possible property damages, which may occur if safety instructions are not observed.

NOTE!

The symbol **NOTE** indicates subsequent information and guidelines for the user on usage of the appliance.

1.2 Safety instructions

Electrical Current

- Too high a mains voltage or incorrect installation may cause electric shock.
- The appliance may be connected only if data on the rating plate correspond with the mains voltage.
- To avoid short-circuit, the appliance should be kept dry.
- If there are malfunctions during operation, disconnect the appliance from the power supply.
- Do not touch the appliance's plug with wet hands.
- Never take hold of the appliance if it has fallen into water. Immediately disconnect the appliance from the power supply.
- Any repairs or housing opening may be carried out by professionals and relevant workshops only.
- Do not transport the appliance, holding it by the power cord.
- Do not allow the power cord to come into contact with heat sources or sharp edges.
- Do not bend, pinch nor knot the power cord.

- Always completely unwind the power cord.
- Never place the appliance or other objects on the power cord.
- Always take hold of the plug to disconnect the appliance from the power supply.
- Check the power cord regularly for damage. Do not use the appliance if the power cord is damaged. If this cable is damaged, it must be replaced by customer service or a qualified electrician in order to avoid dangers.

Flammable Materials

- Never subject the appliance to contact with high temperature sources, e.g.: oven, furnace, open flame, heat generating devices, etc.
- To avoid fire hazard, clean the appliance regularly.
- Do not cover the appliance with, e.g., aluminium foil or cloths.
- Use the appliance only with materials designated to this end and with correct temperature settings. Materials, groceries and left-overs remaining in the appliance may catch fire.
- Never use the appliance near flammable or inflammable materials, e.g.: petrol, spirit, alcohol, etc. High temperature triggers evaporation of these materials, and, as a result of contact with sources of ignition, an explosion may occur.
- In case of fire, disconnect the appliance from the power supply before attempting suitable fire-extinguishing actions.
- Never attempt to extinguish fire with water if the appliance is connected to the power supply. Following extinction of fire, ensure sufficient fresh air inflow.

EN

Hot Surfaces

- Surfaces of the appliance become hot during operation. Burning hazard! High temperature remains for some time after switching the appliance off.
- Do not touch any hot surfaces of the appliance. Use the provided handling elements and holders.
- You may transport and clean the appliance after it cools down entirely.
- It is prohibited to sprinkle hot surfaces with cold water or flammable liquids.

Supervised Usage only

- Only supervised appliance may be used.
- Always remain in an immediate vicinity of the appliance.

Operating Personnel

- This appliance must not be used by children.

Safety

- Keep the appliance and the power cord away from children.
- Children should be supervised to ensure that they are not playing with or switching the appliance on.
- The appliance may be used by people with reduced physical, sensory or mental abilities and those with limited experience/knowledge as long as they are under supervision or have been instructed on safe use of the appliance and possible risks. Do not leave the appliance unattended during operation.

Improper use

- Unintended or prohibited use may cause damage to the appliance.
- The appliance may only be used in a technically flawless condition, providing for safe use.
- The appliance may only be used with connections in a technically flawless condition, providing for safe use.
- The appliance may only be used clean.
- Use only original spare parts. Never attempt to repair the appliance on your own.
- Do not attempt to modify nor alter the appliance.
- To rearrange containers on the warming plate, always lift them from the plate and not move them over, as otherwise their bottoms might scratch the glass.
- Do not use plastic containers nor packagings.

1.3 Intended Use

As described below, every use of the appliance for a purpose differing and/or diverging from its intended standard use, is prohibited and considered to be an unintended use.

The following is an intended use:

- Heating-up food and keeping it warm with the use of suitable containers GN 1/1 containers or other containers.

1.4 Unintended Use

An unintended use may lead to personal injuries or property damages caused by hazardous voltage, fire or high temperature. The appliance may only be used to perform tasks described in this instruction manual.

The following is an unintended use:

- Food preparation;
- Heating-up flammable, hazardous to health and volatile, etc. liquids and materials.

2 General information

2.1 Liability and Warranty

All information and instructions in this instruction manual account for legal regulations in force, current level of technical engineering knowledge as well as our expertise and experience, developed over the years. If special models or additional options are ordered, or state-of-the-art technical solutions were implemented, the actual scope of delivery of the appliance may, in some circumstances, differ from descriptions and numerous drawings in this instruction manual.

The manufacturer is not liable for any damages nor faults stemming from:

- failure to observe instructions,
- unintended use,
- technical alterations introduced by the user,
- usage of unapproved spare parts.

We reserve the right to introduce technical modifications to the product, intended for improvement of the appliance and its performance.

2.2 Copyright Protection

This instruction manual, and texts, drawings and images included in it, as well as its other components are copyright protected. It is prohibited to reproduce this instruction manual (including its excerpts), in any form and by any means, and to use and/or transfer its content to third parties without manufacturer's written permission. Violation of the above results in obligation to pay compensation. We reserve the right to claim further damages.

EN

2.3 Declaration of Conformity

The appliance meets the currently applicable standards and guidelines of the European Union. We confirm the above in the EC Declaration of Conformity. We may provide relevant Declaration of Conformity upon request.

3 Transport, Packaging and Storage

3.1 Delivery Check

Immediately upon reception, check the delivery for completeness and possible shipping damage. In the case of visible transport damage refuse to accept the appliance or accept it conditionally. Mark and note the scope of damage in shipping documents/consignment list of the shipping company and lodge a complaint. Concealed damage must be reported immediately upon its discovery, as compensation claims may only be filed within applicable time limits.

If you find that parts or accessories missing, please contact our Customer Service Department.

3.2 Packaging

Do not dispose of the appliance cardboard box. It may be used to store the appliance when relocating or when shipping the appliance to our service point in the case of any damages.

The packaging and its elements are made of recyclable materials. Particularly, these are: plastic films and bags, cardboard box.

When disposing of the packaging, observe applicable domestic regulations. Recyclable packaging materials should be recycled.

3.3 Storage

Leave the packaging closed until installation of the appliance; observe external indications concerning method of placing and storage. Store the packaging in the following conditions only:

- in closed rooms;
- in dry and dust-free surrounding;
- away from aggressive agents;
- in a location protected against sunlight;
- in a location protected against mechanical shocks.

In the case of extended storage (over three months), make sure you check the condition of the packaging and the parts regularly. If needed, replace the packaging with a new one.

4 Technical Data

4.1 Technical Specifications

Name:	Warming tray WP230S-EB 1/1
Art. No.:	114371
Material:	stainless steel
Heating plate material:	Schott-Ceran®
Gastronorm:	1/1 GN
Dimensions of utility surface (W x D), in mm:	520 x 270
Temperature range, min.–max., in °C:	50 - 95
Temperature control, levels / °C	3 / 50 70 95
Connected load:	0,23 kW 220-240 V 50/60 Hz
Dimensions (W x D x H), in mm:	545 x 340 x 45
Weight, in kg:	2,8

We reserve the right to implement technical modifications.

EN

Version / Characteristics

- Appliance connection: ready to plug in
- Control: touch
- Compatible with GN containers
- Can be built in
- Thermostat
- Overheating protection
- ON/OFF switch
- Indicator light:
 - ON/OFF
 - temperature

4.2 List of Components of the Appliance

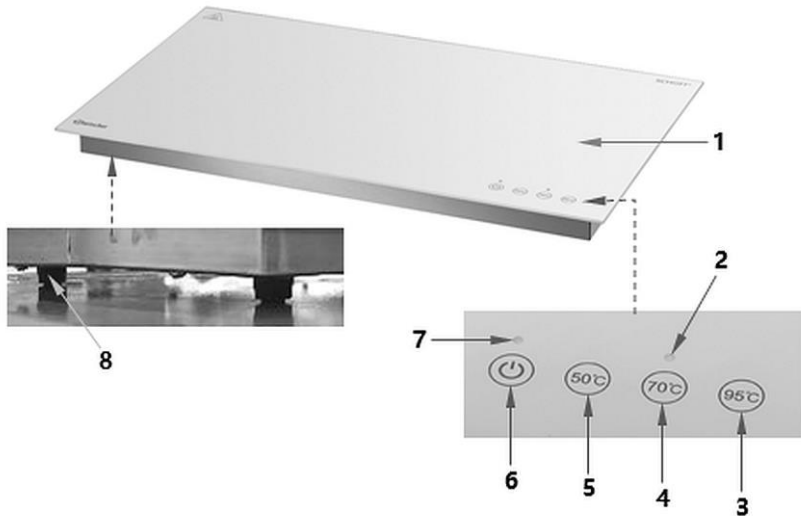


Fig. 1

- | | |
|---------------------------|--------------------------------------|
| 1. Heating plate | 2. Temperature level indicator light |
| 3. 95°C temperature level | 4. 70°C temperature level |
| 5. 50°C temperature level | 6. ON/OFF switch |
| 7. Power indicator light | 8. Feet (4 pcs) |

4.3 Functions of the Appliance

The warming tray may be used as a table-top or built-in appliance.

The prepared food in suitable GN containers is kept warm on the heating plate at the set temperature and through the required period of time. The possibility for 3-level temperature control is provided by easily operated touch panel.

5 Installation and operation

5.1 Installation

Unpacking / Positioning

- Unpack the appliance, remove all external and internal packaging elements and shipment safeguards.



CAUTION!

Choking hazard!

Prevent children from accessing package materials, for instance: plastic bags and EPS.

- If the appliance is covered with a protective film, remove it. Remove the film slowly, so no glue residues are left. Remove any glue residues with the use of a suitable solvent.
- Be careful not to damage the rating plate and warning labels fixed on the appliance.
- **Never** place the appliance in humid or wet environment.
- Place the appliance in a way making the connections easily accessible, so that they may be quickly disconnected if such a need arises.
- The appliance should be placed on surfaces that are:
 - even, with sufficient bearing capacity, resistant to water, dry and resistant to high temperatures;
 - sufficiently large, and thus enabling usage of the appliance with no problems;
 - easily accessible;
 - well ventilated.
- Maintain sufficient clearance from table edges. The appliance might turn over and fall down.
- Leave at least 10 cm clearance from flammable walls and items.

Built-in Installation

The warming tray may be used as a table-top appliance or be flush-mounted in a work top / cabinet.

1. For installation, select a work top board that is heat resistant to avoid deformation due to the heat radiation of the appliance.
2. Cut the opening in the work top board according to the below figure.

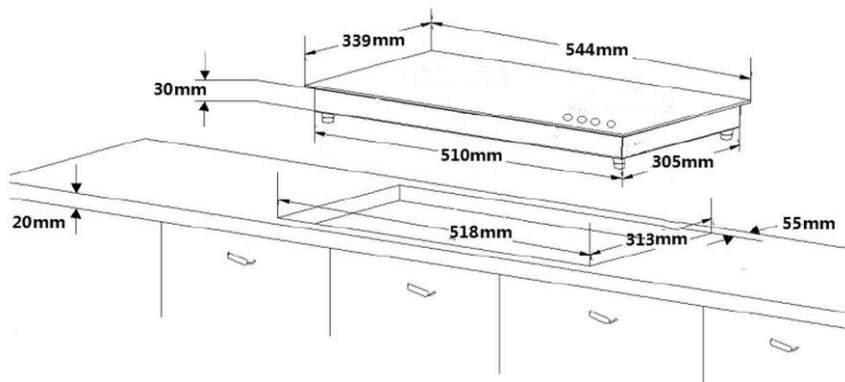


Fig. 2

3. Insert the warming tray in the opening cut out in the work top. Make sure you do not pinch the connection cord.
4. To secure the warming tray in the work top and protect it against collecting dust and soiling in crevices, use a glass sealer.

Power supply connection

- Verify if technical data of the appliance (see rating plate) correspond with the local electric power grid specification.
- Connect the appliance to a single, properly grounded mains socket with protective contact. Do not connect the appliance to a multi-socket.
- The power cord should be laid in a way preventing anyone from threading on it or tripping against it.

- Do not use the appliance with an external timer or remote control.

5.2 Operation

WARNING!

Risk of burning!

The external surface of the appliance is very hot during its operation.

Do not touch hot surface.

Containers with food become very hot during operation.

Use protective gloves when moving cookware.

ATTENTION!

The appliance is not intended for direct cooking nor keeping warm food that is placed directly on the warming surface.

Use suitable containers.

WARNING!

The food in containers may slide or fall if the appliance is not set on even and stable surface.

Pay attention to the surface you are putting containers taken off of the appliance.

Never move the warming tray with food on top of it; remove food first.

Before First Use

1. Before use, clean the appliance observing indications in section '**Cleaning**'.
2. Dry the appliance thoroughly.

Appliance Start-Up

1. Plug the appliance into a suitable single socket.
Power indicator light blinks.
2. Press the ON/OFF switch.
The power indicator light will be lit. The appliance is now in standby.
3. Set the desired temperature using the temperature control keys.
There are 3 temperature levels available for setting:
50°C | 75°C | 95°C.

The indicator light for the given temperature level is lit.

EN

Heating Up / Keeping Food Warm

1. Fill suitable GN 1/1 containers or other containers with warm food.
2. Place containers on the pre-heated heating plate.



Fig. 3

3. Close a container with a lid.

NOTE!

Food stays warm for much longer when covered.

Food may be kept at the set temperature in the required period of time.

Switching the Appliance OFF

1. If the appliance is not to be used any more, it should be switched off by means of pressing the ON/OFF switch.
2. Disconnect the appliance from the socket (pull the plug out).

6 Cleaning

6.1 Safety Instructions for Cleaning


- Before cleaning, disconnect the appliance from the power supply.
- Leave the appliance to cool down completely.
- Make sure water does not enter the appliance. Do not immerse the appliance in water or other liquids during cleaning. Do not clean the appliance with a pressurized water jet.
- Do not use any sharp or pointed, nor metal implements (knife, fork, etc.). Sharp or pointed implements may damage the appliance, and when in contact with live parts, they may cause electric shock.
- For cleaning, do not use any scouring agents that contain solvents nor corrosive cleaning agents. They may damage the surface.

6.2 Cleaning

1. Clean the appliance after each use.
2. Wipe the warming plate and the housing with soft, damp cloth and a mild, non-scrubbing washing agent.
3. Wipe all washed surfaces with a clean cloth.
4. Thoroughly clean the appliance with a soft cloth.

7 Disposal

Electrical Appliance

	<p>Electric appliances are marked with this symbol. Electrical appliances must be disposed of and recycled in a correct and environmentally friendly manner. You must not dispose of electric appliances with household waste. Disconnect the appliance from the power supply and remove power cord from the appliance.</p>
---	---

Electrical appliances should be returned to designated collection points.