

I3WL820 2/1 GN



114267

Bartscher GmbH
Franz-Kleine-Str. 28
D-33154 Salzkotten
Germany

Phone: +49 5258 971-0

Fax: +49 5258 971-120

Technical Support Hotline: +49 5258 971-197

www.bartscher.com



Version: 3.0

Date of preparation: 2023-02-24

Original instruction manual

1	Safety	2
1.1	Explanation of Signal Words	2
1.2	Safety instructions.....	3
1.3	Intended Use	6
1.4	Unintended Use	6
2	General information	7
2.1	Liability and Warranty	7
2.2	Copyright Protection	7
2.3	Declaration of Conformity	7
3	Transport, Packaging and Storage	8
3.1	Delivery Check.....	8
3.2	Packaging	8
3.3	Storage	8
4	Technical Data.....	9
4.1	Technical Specifications	9
4.2	List of Components of the Appliance	10
4.3	Functions of the Appliance.....	10
5	Installation and operation	11
5.1	Installation.....	11
5.2	Operation	13
6	Cleaning	15
6.1	Safety Instructions for Cleaning	15
6.2	Cleaning.....	15
7	Disposal.....	16



Read this instruction manual before using and keep it available at all times!

This instruction manual contains information about installation, operation and maintenance of the appliance and constitutes an important source of information and reference guide. The knowledge of all operational and safety instructions included in this manual is a prerequisite for safe and proper handling of the appliance. Additionally, accident prevention, occupational health and safety, and legal regulations in force in the area the appliance is used apply.

Before you start using the appliance, especially before turning it on, read this instruction manual in order to avoid personal injuries and property damages. Improper use may cause damage.

This instruction manual forms an integral part of the product and must be stored in an immediate vicinity of the appliance and be available at all times. The instruction manual should be transferred together with the appliance.

1 Safety

This appliance has been manufactured in accordance with technical standards currently in force. However, the appliance may be a source of hazards if used improperly or contrary to its intended purpose. All persons using the appliance must consider information included in this instruction manual and observe safety instructions.

1.1 Explanation of Signal Words

Important safety instructions and warning information are indicated in this instruction manual with appropriate signal words. You must strictly follow the instructions, to prevent accidents, personal injuries and property damages.



DANGER!

The signal word **DANGER** warns against hazards that lead to severe injuries or death if the hazards are not avoided.



WARNING!

The signal word **WARNING** warns against hazards that may lead to moderate or severe injuries or death if the hazards are not avoided.



CAUTION!

The signal word **CAUTION** warns against hazards that may lead to light or moderate injuries if the hazards are not avoided.

IMPORTANT!

The signal word **IMPORTANT** indicates possible property damages, which may occur if safety instructions are not observed.

NOTE!

The symbol **NOTE** indicates subsequent information and guidelines for the user on usage of the appliance.

1.2 Safety instructions

Electrical Current

- Too high a mains voltage or incorrect installation may cause electric shock.
- The appliance may be connected only if data on the rating plate correspond with the mains voltage.
- To avoid short-circuit, the appliance should be kept dry.
- If there are malfunctions during operation, disconnect the appliance from the power supply.
- Do not touch the appliance's plug with wet hands.
- Never take hold of the appliance if it has fallen into water. Immediately disconnect the appliance from the power supply.
- Any repairs or housing opening may be carried out by professionals and relevant workshops only.
- Do not transport the appliance, holding it by the power cord.
- Do not allow the power cord to come into contact with heat sources or sharp edges.
- Do not bend, pinch nor knot the power cord.

- Always completely unwind the power cord.
- Never place the appliance or other objects on the power cord.
- Always take hold of the plug to disconnect the appliance from the power supply.
- Check the power cord regularly for damage. Do not use the appliance if the power cord is damaged. If this cable is damaged, it must be replaced by customer service or a qualified electrician in order to avoid dangers.

Flammable Materials

- Never subject the appliance to contact with high temperature sources, e.g.: oven, furnace, open flame, heat generating devices, etc.
- To avoid fire hazard, clean the appliance regularly.
- Do not cover the appliance with, e.g., aluminium foil or cloths.
- Use the appliance only with materials designated to this end and with correct temperature settings. Materials, groceries and left-overs remaining in the appliance may catch fire.
- Never use the appliance near flammable or inflammable materials, e.g.: petrol, spirit, alcohol, etc. High temperature triggers evaporation of these materials, and, as a result of contact with sources of ignition, an explosion may occur.
- In case of fire, disconnect the appliance from the power supply before attempting suitable fire-extinguishing actions.
- Never attempt to extinguish fire with water if the appliance is connected to the power supply. Following extinction of fire, ensure sufficient fresh air inflow.

Safety

Hot Surfaces

- Surfaces of the appliance become hot during operation. Burning hazard! High temperature remains for some time after switching the appliance off.
- Do not touch any hot surfaces of the appliance. Use the provided handling elements and holders.
- You may transport and clean the appliance after it cools down entirely.
- It is prohibited to sprinkle hot surfaces with cold water or flammable liquids.

Supervised Usage only

- Only supervised appliance may be used.
- Always remain in an immediate vicinity of the appliance.

Operating personnel

- This appliance is not intended to be used by persons (including children) with limited physical, sensory or mental capabilities, nor by persons with limited experience and/or limited knowledge.
- Children should be supervised to ensure that they are not playing with or switching the appliance on.

EN

Improper use

- Unintended or prohibited use may cause damage to the appliance.
- The appliance may only be used in a technically flawless condition, providing for safe use.
- The appliance may only be used with connections in a technically flawless condition, providing for safe use.
- The appliance may only be used clean.
- Use only original spare parts. Never attempt to repair the appliance on your own.
- Do not attempt to modify nor alter the appliance.

1.3 Intended Use

As described below, every use of the appliance for a purpose differing and/or diverging from its intended standard use, is prohibited and considered to be an unintended use.

The following is an intended use:

- Keeping food warm using appropriate GN 2/1 container.

1.4 Unintended Use

An unintended use may lead to personal injuries or property damages caused by hazardous voltage, fire or high temperature. The appliance may only be used to perform tasks described in this instruction manual.

The following is an unintended use:

- Heating of rooms
- heating of flammable, health-hazardous and easily evaporating liquids and materials, etc.

2 General information

2.1 Liability and Warranty

All information and instructions in this instruction manual account for legal regulations in force, current level of technical engineering knowledge as well as our expertise and experience, developed over the years. If special models or additional options are ordered, or state-of-the-art technical solutions were implemented, the actual scope of delivery of the appliance may, in some circumstances, differ from descriptions and numerous drawings in this instruction manual.

The manufacturer is not liable for any damages nor faults stemming from:

- failure to observe instructions,
- unintended use,
- technical alterations introduced by the user,
- usage of unapproved spare parts.

We reserve the right to introduce technical modifications to the product, intended for improvement of the appliance and its performance.

2.2 Copyright Protection

This instruction manual, and texts, drawings and images included in it, as well as its other components are copyright protected. It is prohibited to reproduce this instruction manual (including its excerpts), in any form and by any means, and to use and/or transfer its content to third parties without manufacturer's written permission. Violation of the above results in obligation to pay compensation. We reserve the right to claim further damages.

EN

2.3 Declaration of Conformity

The appliance meets the currently applicable standards and guidelines of the European Union. We confirm the above in the EC Declaration of Conformity. We may provide relevant Declaration of Conformity upon request.

3 Transport, Packaging and Storage

3.1 Delivery Check

Immediately upon reception, check the delivery for completeness and possible shipping damage. In the case of visible transport damage refuse to accept the appliance or accept it conditionally. Mark and note the scope of damage in shipping documents/consignment list of the shipping company and lodge a complaint. Concealed damage must be reported immediately upon its discovery, as compensation claims may only be filed within applicable time limits.

If you find that parts or accessories missing, please contact our Customer Service Department.

3.2 Packaging

Do not dispose of the appliance cardboard box. It may be used to store the appliance when relocating or when shipping the appliance to our service point in the case of any damages.

The packaging and its elements are made of recyclable materials. Particularly, these are: plastic films and bags, cardboard box.

When disposing of the packaging, observe applicable domestic regulations. Recyclable packaging materials should be recycled.

3.3 Storage

Leave the packaging closed until installation of the appliance; observe external indications concerning method of placing and storage. Store the packaging in the following conditions only:

- in closed rooms;
- in dry and dust-free surrounding;
- away from aggressive agents;
- in a location protected against sunlight;
- in a location protected against mechanical shocks.

In the case of extended storage (over three months), make sure you check the condition of the packaging and the parts regularly. If needed, replace the packaging with a new one.

4 Technical Data

4.1 Technical Specifications

Name:	Food warmer I3WL820 2/1 GN
Art. No.:	114267
Material:	aluminium
Number of heat sources:	3
Power per heat source:	0,275
Temperature range, max., in °C:	58
Basin size, GN format	2/1
GN container cut-out dimensions (W x D x H), in mm:	650 x 530 x 65
GN container depth, in mm:	65
Clearance height, in mm:	390
Connected load:	0,825 kW 230 V 50 Hz
Dimensions (W x D x H), in mm:	810 x 340 x 610
Weight, in kg:	2,1

We reserve the right to implement technical modifications.

Version / Characteristics

- Heat source: infrared lamp(s)
- Designed for GN basins / GN trays
- ON/OFF switch
- Delivery form: self-assembly set (simple assembly)
- Ventilated aluminium reflectors
- **Important indication:** delivery without GN container

4.2 List of Components of the Appliance

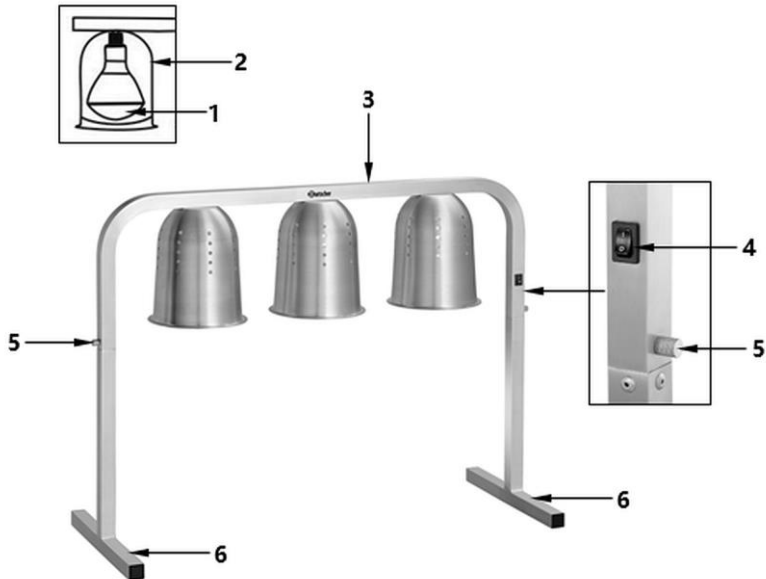


Fig. 1

1. Infrared lamp (3 pcs)
2. Ventilated aluminium reflectors (3 pcs)
3. Top lamp holder
4. ON/OFF switch
5. Lamp holder mounting screw (2 pcs)
6. Lower frame (2 pcs)

4.3 Functions of the Appliance

The food warmer is designed for maintaining food temperature.

3 heating lamps with ventilated aluminium reflectors provide for precise heat emission. The display surface offers space for containers up to GN 2/1 in size, meaning it is ideal for large buffets, catering establishments or canteens.

5 Installation and operation

5.1 Installation

Unpacking / Positioning

- Unpack the appliance, remove all external and internal packaging elements and shipment safeguards.



CAUTION!

Choking hazard!

Prevent children from accessing package materials, for instance: plastic bags and EPS.

- If the appliance is covered with a protective film, remove it. Remove the film slowly, so no glue residues are left. Remove any glue residues with the use of a suitable solvent.
- Be careful not to damage the rating plate and warning labels fixed on the appliance.
- **Never** place the appliance in humid or wet environment.
- Place the appliance in a way making the connections easily accessible, so that they may be quickly disconnected if such a need arises.
- The appliance should be placed on surfaces that are:
 - even, with sufficient bearing capacity, resistant to water, dry and resistant to high temperatures;
 - sufficiently large, and thus enabling usage of the appliance with no problems;
 - easily accessible;
 - well ventilated.
- Maintain sufficient clearance from table edges. The appliance might turn over and fall down.
- Never place the appliance in the direct vicinity of walls, masonry, kitchen furniture, or other objects. Make sure there is enough distance (at least 30 cm) from walls and other flammable or prone to discolouration objects. Follow the valid fire protection regulations.
- When it is not possible to maintain the recommended minimum distance, use appropriate protection measures (e.g. heat-resistant foil) which assure keeping the wall temperature in safe range.
- Keep the working area around the appliance clean and dry at all times.

Assembly

The assembly of the appliance should be carried out in the following steps (Fig. 2):

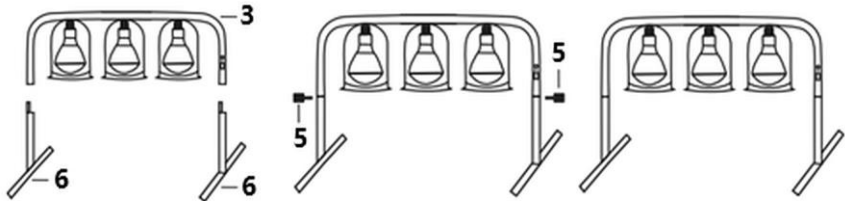


Fig. 2

1. Place the top lamp holder (3) on the lower frame tube (6).
2. Screw the top lamp holder with the factory-assembled infrared lamps (3) and lower frame (6), left and right, using mounting screws (5).

The appliance is ready for use.

EN

Power supply connection

- Verify if technical data of the appliance (see rating plate) correspond with the local electric power grid specification.
- Connect the appliance to a single, properly grounded mains socket with protective contact. Do not connect the appliance to a multi-socket.
- The power cord should be laid in a way preventing anyone from threading on it or tripping against it.

5.2 Operation

Before First Use

1. Before use, clean the appliance, observing instructions in section 6 'Cleaning'.
2. Thoroughly clean the appliance with a soft cloth.
3. Connect the appliance to a single grounded socket.
4. Prepare food.

Heating of Food



WARNING

Hot surface!

The surfaces of the ventilated aluminium reflectors, infrared lamps and device frame become very hot during operation.

Never touch hot elements of the appliance during operation and some time afterwards.

Leave the appliance to cool down completely.

1. Place the warm food products in the GN 2/1 container under the infrared lamps. The appliance is equipped with 3 infrared lamps. Maintain minimum clearances of 30 cm between infrared lamps and food.



Fig. 3

2. Switch the appliance on with the ON/OFF switch (4) by setting it to 'I' position. The food is kept warm from the top during the required time by infrared lamps.
3. Remove food products when needed and serve.
4. If the food warmer is not to be used any more, switch it off with the ON/OFF switch (set to 'O' position).
5. Disconnect the food warmer from the power supply (pull the plug out).

6 Cleaning

6.1 Safety Instructions for Cleaning


- Before cleaning, disconnect the appliance from the power supply.
- Leave the appliance to cool down completely.
- Make sure water does not enter the appliance. Do not immerse the appliance in water or other liquids during cleaning. Do not clean the appliance with a pressurized water jet.
- Do not use any sharp or pointed, nor metal implements (knife, fork, etc.). Sharp or pointed implements may damage the appliance, and when in contact with live parts, they may cause electric shock.
- For cleaning, do not use any scouring agents that contain solvents nor corrosive cleaning agents. They may damage the surface.

6.2 Cleaning

1. Clean the appliance regularly after end of each working day, or more frequently if needed.
2. Clean the lower frame, upper lamp holder, ventilated aluminium reflectors with a damp, soft cloth and mild cleaning agent.
3. Dry all the cleaned parts and surfaces with a soft cloth.
4. Clean the GN container in use regularly under warm running water, with a soft cloth and a mild cleaning agent.
5. Rinse in fresh water.
6. Dry GN containers thoroughly.

7 Disposal

Electrical Appliance

	<p>Electric appliances are marked with this symbol. Electrical appliances must be disposed of and recycled in a correct and environmentally friendly manner. You must not dispose of electric appliances with household waste. Disconnect the appliance from the power supply and remove power cord from the appliance.</p>
---	---

Electrical appliances should be returned to designated collection points.