



**I32N - FI42N**  
**101932 - 101937**



**FI42N**



**FIM42N**

uso e manutenzione **IT**

use and maintenance **EN**

emploi et entretien **FR**

Benutzungs/Wartungsanleitung **DE**

uso y mantenimiento **ES**

uso e manutenção **PT**

использование и техобслуживание **RU**



## RACCOMANDAZIONI PER IL LETTORE

Prima di mettere in esercizio l'apparecchiatura, è necessario leggere e comprendere tutto il contenuto del manuale di istruzioni.

Si raccomanda di leggere le disposizioni di sicurezza e di rispettarle rigorosamente.

La prudenza è comunque insostituibile. La sicurezza è anche nelle mani di tutti coloro che interagiscono con l'apparecchiatura nell'arco della vita prevista.

Conservare questo manuale in un luogo noto per averlo sempre a disposizione qualora sia necessario consultarlo.

## RECOMMENDATIONS FOR THE READER

Before running the appliance, carefully read the entire instruction manual.

Please read the safety instructions and strictly follow them.

However, discretion is invaluable. Safety is also in the hands of all those who use the appliance during its expected working life.

Keep this manual in a known place so its is always available for consultation when needed.

## RECOMMANDATIONS POUR LE LECTEUR

Avant de mettre l'appareil en service, il est nécessaire de lire et comprendre l'ensemble du contenu du mode d'emploi.

Il est recommandé de lire les dispositions de sécurité et de les respecter rigoureusement.

La prudence est de toute façon irremplaçable. La sécurité se trouve entre les mains de chaque personne qui interagit avec l'appareil au cours de sa vie prévue.

Conservé ce mode d'emploi en un lieu connu pour l'avoir toujours à portée de main s'il est nécessaire de le consulter.

## EMPFEHLUNGEN FÜR DEN LESER

Vor der Inbetriebnahme des Geräts ist der gesamte Inhalt der Bedienungsanleitung zu lesen und zu verstehen.

Es wird empfohlen, die Sicherheitsvorgaben zu lesen und diese strikt zu befolgen.

Umsichtiges Arbeiten ist in jedem Fall unverzichtbar. Die Sicherheit liegt auch in den Händen derjenigen, die mit dem Gerät während der vorgesehenen Lebensdauer interagieren.

Bewahren Sie diese Bedienungsanleitung an einem bekannten Ort auf, um sie bei Bedarf stets greifbar zu haben.

## RECOMENDACIONES PARA EL LECTOR

Antes de poner en funcionamiento la máquina, es necesario leer y comprender todo el contenido del manual de instrucciones.

Se recomienda leer las disposiciones de seguridad y respetarlas taxativamente.

La prudencia no puede sustituirse. La seguridad está también en manos de quienes utilizan la máquina durante la vida útil prevista.

Conservar este manual en un lugar conocido para disponer del mismo en caso de ser necesaria su consulta.

## RECOMENDAÇÕES PARA O LEITOR

Antes de pôr a máquina a funcionar, é necessário ler e compreender o conteúdo do manual de instruções.

Recomenda-se a leitura das disposições de segurança e o rigoroso respeito das mesmas.

De qualquer modo, a prudência é insubstituível. A segurança também está nas mãos de todas as pessoas que interagem com a máquina no arco da sua vida prevista.

Conservar este manual num lugar conhecido para o ter sempre à disposição quando for necessário consultá-lo.

## РЕКОМЕНДАЦИИ ЧИТАТЕЛЮ

Перед вводом в эксплуатацию оборудования необходимо прочитать и усвоить все содержимое настоящего руководства.

Прочитать и строго соблюдать инструкции по технике безопасности.

Осторожность незаменима. Безопасность находится в руках всех тех, кто взаимодействует с оборудованием на протяжении всего срока его эксплуатации.

Хранить данное руководство в хорошо известном и доступном месте, чтобы обращаться к нему по мере необходимости.

---

# FI32N • FI42N • FIP42N • FIM42N

EN



## PIZZA ROLLING MACHINE

### CONTENTS

#### GENERAL INFORMATION

Purpose of the manual.....	4
Manufacturer and machine identification.....	4
Safety information.....	4
Machine descriptions.....	5
Technical specifications.....	6
Overall dimensions.....	6
Safety devices.....	6

#### HANDLING AND INSTALLATION

General warnings.....	
Packaging and unpacking.....	7
Installation area.....	7
Electrical connections .....	7
	7

#### OPERATIONAL INFORMATION


Control descriptions.....	8
Machine use.....	8
Recommendations for use.....	8
End of the day cleaning.....	9
Roller blade cleaning.....	9
Extended periods of disuse .....	9
Troubles shooting.....	9
Problems, causes, solutions.....	9

#### ATTACHMENTS

Disposal and recycling
Spare parts catalogue
Wiring diagram

## Purpose of the manual

This manual was written by the Manufacturer and is an integral part of machine equipment. During design and construction the Manufacturer has carefully considered possible hazards and personal risks that may result from interaction with the machine. In addition to observing the specific laws in force, the manufacturer has adopted all “exemplary construction technique principles”. The purpose of this information is to advise the users to adopt extreme caution to avoid risks. However, discretion is invaluable. Safety is also in the hands of all the operators who interact with the machine. Keep this manual in a suitable place, always within reach for consultation. The following symbols are included to better stress some passages:

 **DANGER – WARNING:** indicates hazards that may cause serious damages; attention is required.

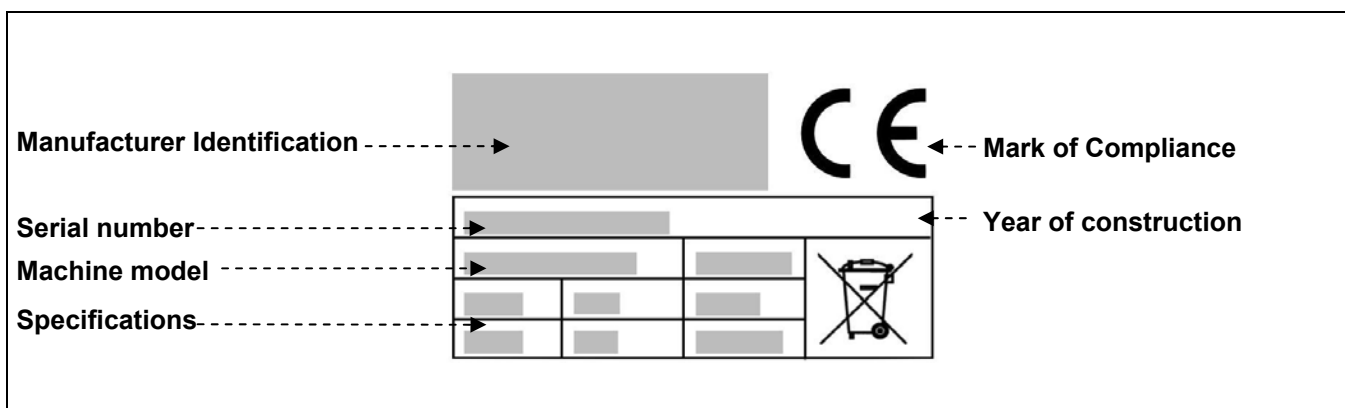
 **INFORMATION:** indicates particularly important technical information.

The following is enclosed with this manual:

- Warranty certificate describing the Manufacturer's warranty conditions.
- Documents that prove conformity with effective health and safety laws.

Contact the Authorised dealer for any service request, information or spare parts order.

## Machine and manufacturer identification



## Safety information

- Careful consultation of this manual before installation and use is essential. Continual observance of the indications found in the manual guarantee personal and machine safety.
- Never tamper with safety devices for any reason.
- Strict observance of the work safety regulations issued by the responsible organisations in each country is strongly recommended.
- The manufacturer is not liable for damages to persons or things due to the neglect of safety regulations.
- The personnel authorized to do the electrical connection must check that the characteristics of the power line conform to what is indicated on the rating plate, that it is equipped with a circuit breaker and components that comply with the current laws and regulations.
- Correct machine placement, illumination and cleanliness are important conditions for personal safety.
- Do not expose the machine to the elements.
- Before installation, check that the chosen area is suitable, sufficiently lit, stable and has enough surrounding space to facilitate cleaning and maintenance
- Machine connections and start-up must only be performed by specialised technicians.
- Make sure that the system specifications of the room where the machine is installed correspond to the information printed on the plate.
- Make sure the machine is connected to a grounding system.
- The work area around the machine must always be kept clean and dry.
- Use the garments foreseen by work safety regulations.

## GENERAL INFORMATION

- This machine must only be used for its specific purpose; any other use is considered improper and therefore hazardous.
- Check the suitability and weight of products to be processed; do not overload the machine.
- Introducing objects, tools, hands or other things within hazardous parts is forbidden.
- Keep the machine away from children.
- Disconnect the power cord from the electrical socket when the machine is not in use.
- In the event of malfunctions and/or problems, do not attempt to repair the machine. Contact the authorised dealer.
- Use original spare parts.
- Before cleaning the machine, disconnect the power supply by unplugging the machine.
- There must not be any loose items on the machine (cloths, tools, keys, etc ...), all guards must be secure and protective devices enabled.
- Do not clean with high-pressure jets of water.
- The scrapers, placed under the lower rollers must be properly secured.
- The machine is manufactured in accordance with the relevant EU Directives and applicable at the time of placement on the market.

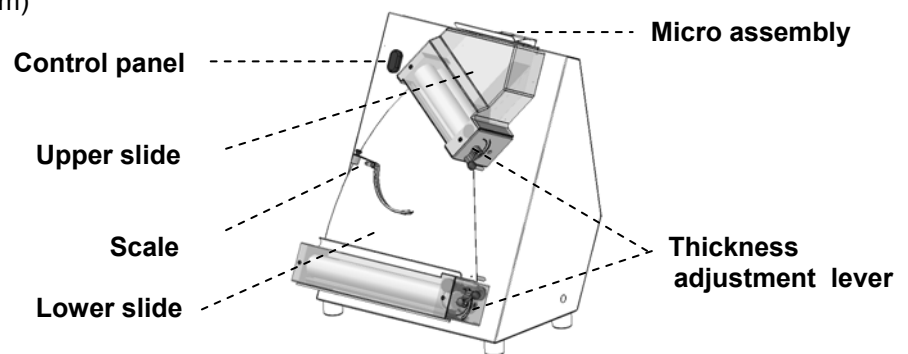
### Machine descriptions

The machine is ideal for rolling pizza dough into a round pie.

The range is made up of 2 different models:

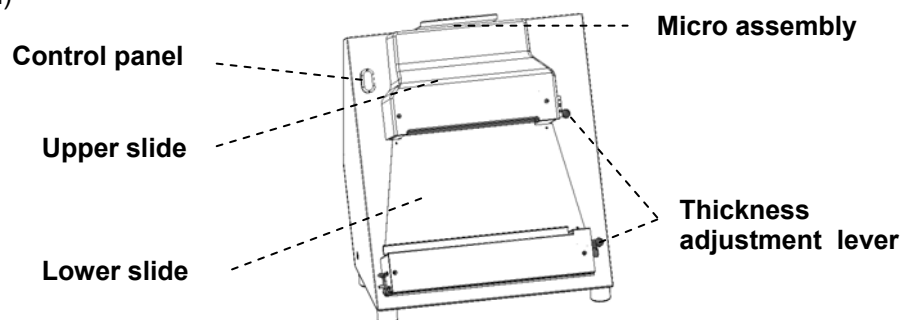
**FI32N** (maximum pizza diameter 300mm)

**FI42N** (maximum pizza diameter 400mm)



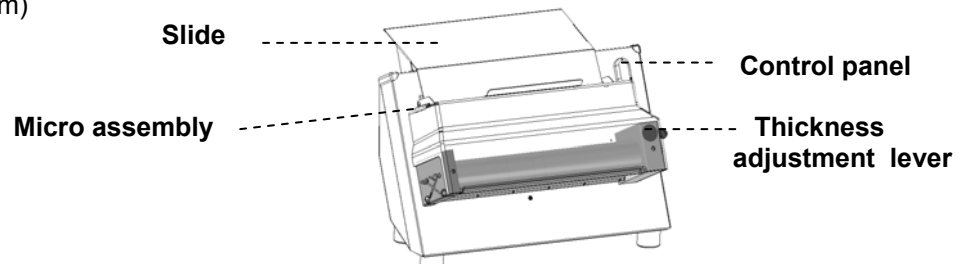
The machine is ideal for rolling pizza dough for pan baking.

**FIP42N** (maximum pizza width 400mm)



The machine is ideal for rolling pizza dough for pan baking.

**FIM42** (maximum pizza width 400mm)



# GENERAL INFORMATION

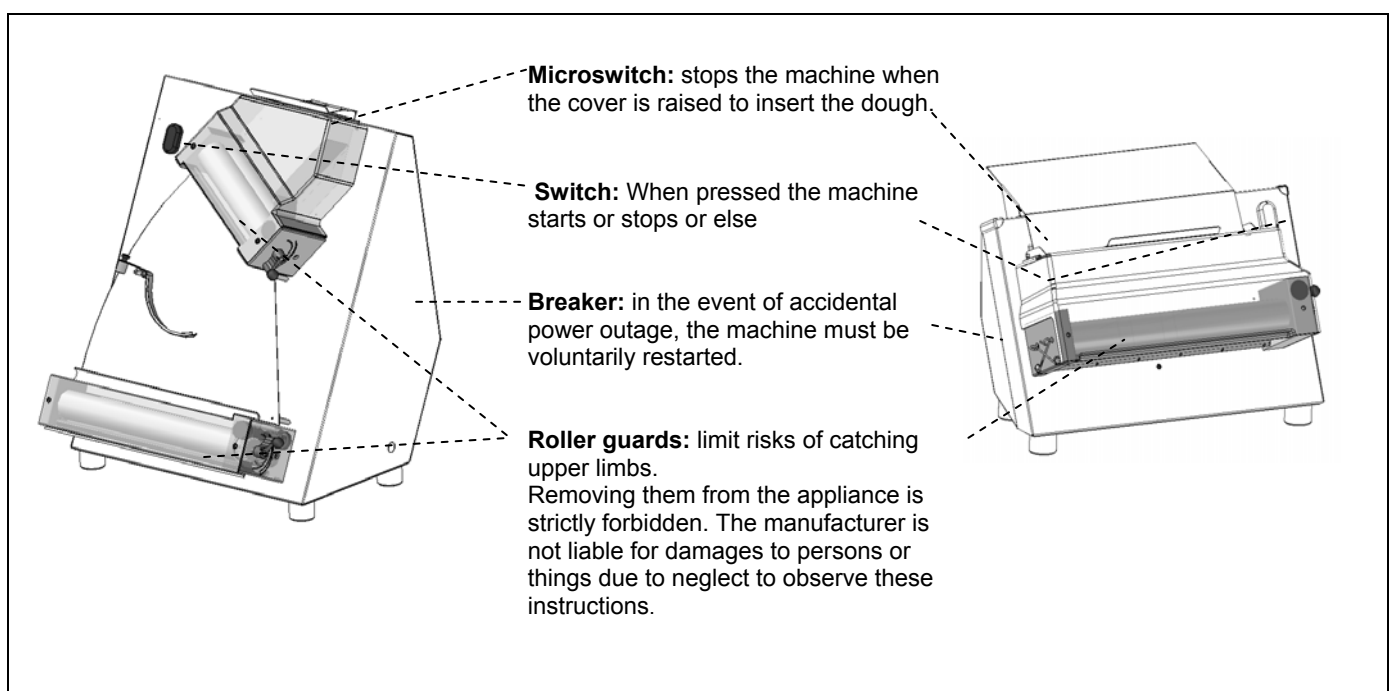
## Technical specifications

Descriptions	Unit of measure	FI32N	FI42N	FIP42N	FIM42
Power supply	V Hz Ph	230V 50Hz 1Ph			
Power	kW (HP)	0.37 (0.5)	0.37 (0.5)	0.37 (0.5)	0.37 (0.5)
Lower roller width	mm	320	420	420	420
Net weight	kg	36	44	43	25
Packaged weight	kg	46	54	53	25
Noise level	dB(A)	< 70			
Installation		Counter			

## Overall dimensions

mm	A	B	C	
FI32N	490	510	640	
FI42N	590	510	760	
FIP42N	590	510	700	
FIM42	560	420	455	

## Safety devices



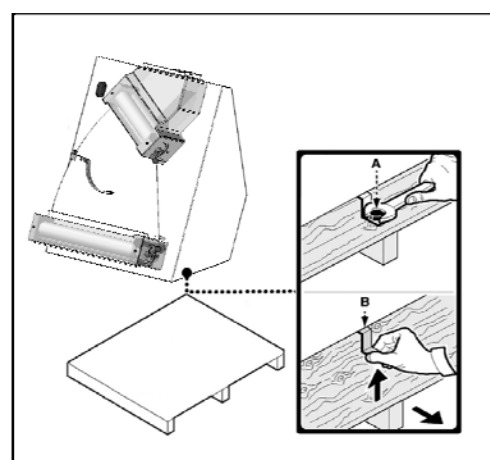
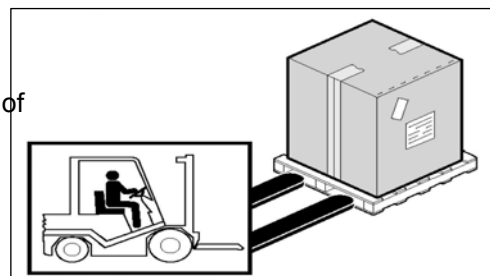
# HANDLING AND INSTALLATION

## GENERAL WARNINGS

The machine must always be transported by professionally qualified personnel, taking care to avoid damage to any part of the machine as a result of impacts or undue stresses caused by inappropriate lifting methods. Damage to the machine caused during transport or handling is not covered by the guarantee. Repair and replacement of damaged parts are the responsibility of the customer.

## PACKAGING AND UNPACKING

- Insert the forks of the lift truck (of suitable capacity) in line with the centre of the box.
- Make sure that the rear part of the package is free of obstacles.
- Lift the box cautiously and transfer it to the location where it will be unpacked, avoiding sudden harsh movements.
- Ouvrir l' emballage et vérifier l' intégrité de tout les composants. Garder l' emballage pour des déménagements futurs.
- Unscrew the screws A and lift the machine from the pallet.
- Lift the machine, remove the brackets B and position it in the installation area.



## Installation area

The arranged area must be suitably illuminated and an electrical socket must be available. Place the machine securely on a flat surface, in a horizontal position, with adequate weight bearing capacity, taking into account the maximum weight of the machine. Ensure the machine is mechanically stable.

The resting surface must be sufficiently ample, even and dry. The machine must be installed in rooms with non-explosive environments. In any case, installation must also be performed in consideration of the work safety laws in force.

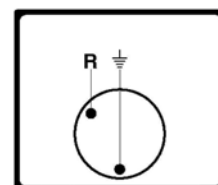
**Room conditions table**

Descriptions	Values
Working temperature	0÷35 °C (32÷95 °F)
Storage temperature	-15 to +65 °C (from -6.8 to +149 °F)
Relative humidity	Maximum 80% with 20 °C room temperature Maximum 50% with room temperature between 20÷60 °C
Dustiness	Less than 0.03 g/m <sup>3</sup>

## Electrical connections

**⚠ DANGER – WARNING: Electrical connections to the supply mains must be performed by specialised personnel.**

Verify the efficiency of the grounding system in the building. Make sure that line voltage (**V**) and frequency (**Hz**) correspond to those of the machine (See the identification plate and wiring diagram). The machine is equipped with an electrical cord that connects to a multi-polar plug. The plug is to be connected to a wall switch equipped with a circuit breaker.



## Control descriptions

### 1) Start button "1"

Press the button to start the machine. **Start-up is enabled only with the cover of the upper protection lowered.**

### 2) Stop button "0"

Press the button to stop the machine.

### 3) Roller adjustment lever

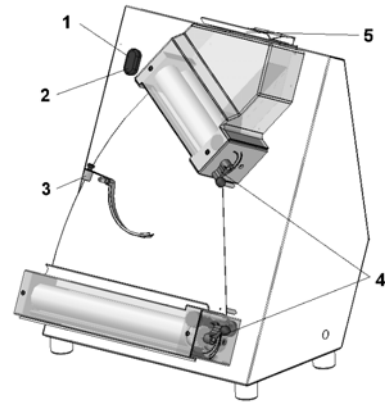
Rotate the lever down to increase thickness. Rotate the lever up to reduce thickness. Tighten the knob once you have found the desired position.

### 4) Scale counter-weight knob (mod. FI32N-42N only)

Unscrew the knob and adjust the counter-weight according to the size and weight of the piece of dough. Screw-in the knob when the counter-weight is in the required position.

### 5) Protection cover

Lift the lid to insert the dough.



## Machine use

- Use the specific levers to adjust thickness on both roller units. The upper rollers must be adjusted to a fairly wide opening while the lower rollers must have an opening as wide as the required thickness (run a few tests to correctly perform this operation).
- Adjust the position of the scale counter-weight according to the size and weight of the dough to be rolled, mod. FI32N-42N only (run a few tests to correctly perform this operation).
- Make sure the roller blades are in the correct position and that their springs are well-tensioned.
- Start the machine by pressing the start button "1".
- Flatten the piece of dough and liberally cover it with flour to assist the passage through the rollers.
- Lift the cover of the top guard, let the dough slip in the middle of the two rollers and close the lid (without dropping it, but accompanying it on the bar).
- Wait for the dough to come out all the way from the grip of the upper rollers so it slides out, this time on the lower rollers which flatten it to the thickness set beforehand by the thickness lever.
- When finished, stop the machine by pressing the stop button "0".

### **i** INFORMATION:

**For use with very irregular-shaped pieces of dough, remove the scale (mod. FI32N-42N only) and manually rotate the piece as it passes between the two pairs of rollers.**

## Recommendations for use

Always use the machine with a wide opening between the upper rollers to prevent excessively straining the transmission components. Furthermore, flatten and liberally cover the piece of dough with flour before placing it in the machine to assist passage through the rollers.



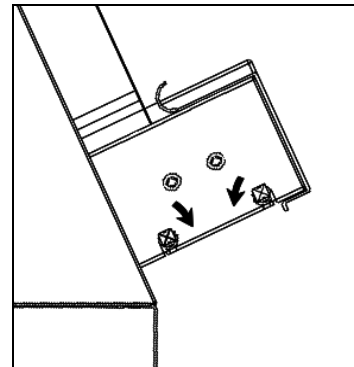
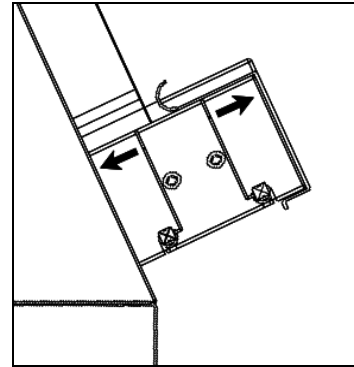
# CLEANING MACHINE

## End of the day cleaning

- Remove the plug from the electrical socket at the end of the day.
- Clean thoroughly using a damp cloth with a neutral cleaning product, which is non-corrosive, non-hazardous and non-flammable.
- Clean external machine parts with a damp sponge.
- Do not use metallic pads and abrasive detergents.

## Roller blade cleaning

- Unhook the springs on the lower rollers by pushing them outwards.
- Rotate the pins inwards and clean the roller blades with a damp cloth.
- To return the roller blades to their initially position, follow the above directions in reverse order.



## Extended periods of disuse

For extended periods of disuse, turn off the main wall switch, clean the machine and cover it with a cloth to protect it from dust.

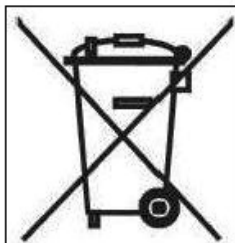
## Troubleshooting

In the event of breakdown or malfunctioning, turn off the wall fuse and contact your Dealer's service centre. Avoid dismantling internal machine parts.

**The manufacturer is not liable for any machine tampering!**

## Problems, causes, solutions

Problem	Cause	Solution
<b>The machine does not start</b>	Main switch off	Turn on main switch to "I"
	No voltage on the power supply	Contact your dealer's service centre
	Either the electric motor or the circuit board is defective.	Contact your dealer's service centre
	Safety fuse burnt out	Contact your dealer's service centre
	Upper rollers protective cover raised	Lower the cover



La presenza del bidoncino barrato sulla targhett a dati dell'apparecchiatura indica che essa al termine della propria vita utile dovrà seguire per il suo smaltimento e riciclaggio quanto previsto dalla Direttiva Europea. La Direttiva prevede la raccolta separata delle apparecchiature elettriche ed elettroniche attraverso un sistema di raccolta denominato RAEE. All'atto dell'acquisto di un nuovo apparecchio l'utilizzatore è obbligato a non smaltire l'apparecchio come rifiuto urbano, ma bensì dovrà riconsegnarlo, in ragione di uno contro uno, al rivenditore o distributore. Il rivenditore provvederà al suo smaltimento seguendo le procedure previste dal sistema di raccolta dei RAEE. Nel caso del solo smaltimento dell'apparecchiatura, sul territorio italiano, contattare il produttore, il quale fornirà le informazioni adeguate circa lo smaltimento della macchina presso il centro di raccolta più vicino all'utente. Gli utilizzatori che risiedono al di fuori del territorio italiano dovranno contattare i Ministeri dell'Ambiente del loro Paese, i quali forniranno le informazioni necessarie ad un corretto smaltimento. Il mancato rispetto delle procedure di smaltimento può produrre effetti nocivi a danno dell'ambiente e delle persone. Pertanto lo smaltimento abusivo, totale o parziale, delle apparecchiature, porterà a sanzioni amministrative da parte delle Autorità Competenti nei riguardi delle utenze negligenti o inadempienti.

The markings illustrated here (barred garbage bin), on the utensil data plate, indicates that at the end of its working life, the utensil must be disposed of and recycled according to European Directive. The Directive provides for the separate collection of electric and electronic equipment by a collection system called RAEE. Upon purchasing a new utensil, the user must not dispose of the utensil as urban waste but must return it, in a one-to-one exchange, to the dealer or distributor. The dealer may dispose of the utensil following the procedures set by the RAEE collection system. In the event the user disposes of the utensil without purchasing a new one, in Italy contact the manufacturer who will provide suitable information on machine disposal at the collection centre closest to the user. Users who do not reside in Italy must contact the Ministry of the Environment in their countries who will provide information necessary for correct disposal. Failure to observe the disposal procedure may cause harmful effects on the environment and people. Therefore, total or partial illicit utensil disposal by users is punishable by local authorities.

La présence de ce symbole, comme ci-dessus (poubelle barrée), sur l'étiquette, indique que l'appareil, au terme de sa durée de vie devra suivre pour son élimination et son recyclage, les indications prévues à ce sujet par les Directives Européennes. La Directive prévoit le ramassage séparé des appareils électriques et électroniques par le biais d'un système de ramassage appelé RAEE. Au moment de l'achat de l'appareil l'utilisateur est obligé à ne pas éliminer l'appareil comme déchets habituels, mais il devra le ramener, en raison d'un échange, au revendeur ou au distributeur. Le revendeur se fera charge de son élimination en suivant les procédures prévues par le système de ramassage.. Dans le cas de l'élimination de l'appareil, sur le territoire français, contacter le Ministère de l'Environnement ou le revendeur, ce dernier fournira les informations nécessaires pour l'élimination de l'appareil auprès du centre de ramassage le plus près. Les utilisateurs résidents en dehors du territoire italien devront contacter le Ministère de l'Environnement de leurs Pays, lesquels fourniront les informations nécessaires pour une correcte élimination. Le non respect des normes d'élimination peut avoir des effets nocifs sur l'environnement et sur les personnes. Par conséquent l'élimination abusive, totale ou partielle, des appareils de la part des utilisateurs, donnera lieu à des sanctions de la part des Autorités compétentes.

Wenn das hier dargestellte Symbol (durchgestrichene Abfalltonne) auf dem Typenschild eines Gerätes wiedergegeben ist, bedeutet dies, dass es am Ende seiner Lebensdauer entsprechend der europäischen Richtlinie zu entsorgen und wiederzuverwerten ist. Die Richtlinie sieht eine getrennte Sammlung von Elektro- und Elektronik-Altgeräten entsprechend dem sogenannten WEEE-System vor. Beim Kauf eines neuen Geräts verpflichtet sich der Nutzer, dieses nicht als unsortierten Siedlungsabfall zu entsorgen, sondern dem Händler oder Verteiler im Verhältnis eins zu eins zurückzuerstatten. Der Händler sorgt für die Entsorgung des Geräts unter Einhaltung der vom WEEE-System vorgesehenen Vorgehensweise. Wenn das Gerät in Italien zu entsorgen ist, den Hersteller direkt kontaktieren. Nutzer außerhalb Italiens erhalten beim Umweltministerium des jeweiligen Landes Aufschluss über die zweckmäßige Entsorgung des Geräts. Die Nichteinhaltung der Entsorgungsvorschriften kann schädliche Auswirkungen zu Lasten von Mensch und Umwelt mit sich bringen. Deshalb wird die auch nur teilweise unbefugte Entsorgung der Geräte seitens von Nutzern durch die zuständigen Behörden mit Bußen bestraft.

La presencia de los símbolos aquí reproducidos (contenedor de basura tachado), en la placa de datos del aparato, indica al final de su vida útil, éste deberá ser desguazado y reciclado según cuanto previsto por la Directiva Europea. La Directiva prevé la recolección separada de los aparatos eléctricos y electrónicos por medio de un sistema de recolección denominado RAEE. En el momento de la compra de un nuevo aparato el usuario está obligado a no eliminar el aparato como basura urbana, sino que debe entregarlo, como intercambio del nuevo, al revendedor o distribuidor. El revendedor se encargará de su desguace siguiendo los procedimientos previstos por el sistema de recolección de los RAEE. En caso de tratarse de desguace, exclusivamente en el territorio italiano, contactar el productor, el cual le dará la información adecuada sobre la eliminación de la máquina en el centro de recolección más cercano al usuario. Los usuarios que residen fuera del territorio italiano deberán contactar los Ministerios del Medio ambiente de su país, los cuales suministrarán la información necesaria para una eliminación correcta. El no respeto de los procedimientos de eliminación puede provocar efectos nocivos que dañan el medio ambiente y las personas. Por lo tanto la eliminación clandestina, total o parcial, de los aparatos por parte de los usuarios, implicará sanciones por parte de las Autoridades Competentes.

A presença dos símbolos indicados (contentor do lixo barrado) na chapa de dados do aparelho, significa que no fim da própria vida útil a desactivação e reciclagem deverão ser feitas conforme as prescrições contidas na Directiva Europeia. A Directiva prevê a recolha separada das aparelhagens eléctricas e electrónicas através de um sistema de recolha denominado RAEE. No momento da compra de um novo aparelho, o utilizador é obrigado a não eliminar o aparelho como lixo urbano, mas deverá entregá-lo, na razão de um contra um, ao revendedor ou distribuidor. O revendedor ocupar-se-á da sua eliminação seguindo os processos previstos pelo sistema de recolha dos RAEE. No caso de eliminação do aparelho no território italiano, contacte o produtor, que fornecerá todas as informações necessárias para a eliminação da máquina junto do centro de recolha mais próximo do utilizador. Os utilizadores que residem fora do território italiano deverão contactar os Ministérios do Ambiente do próprio País, que fornecerão as informações necessárias para uma correcta eliminação. A inobservância dos procedimentos de eliminação pode prejudicar o ambiente e as pessoas. Portanto, a eliminação abusiva, total ou parcial, das aparelhagens por parte dos utilizadores, são objecto de coima por parte das Autoridades Competentes.

Наличие данного символа (перечеркнутый мусорный контейнер) на паспортной табличке прибора означает, что по завершению своего срока службы прибор подлежит утилизации и переработке в соответствии с европейской директивой. Директива предусматривает отдельный сбор отработавшей электрической и электронной аппаратуры по системе RAEE. В момент приобретения нового прибора пользователь обязуется не утилизировать прибор в качестве бытовых отходов, а сдать его (в соотношении один к одному) продавцу или дистрибьютору. Продавец должен обеспечить утилизацию прибора в соответствии с методами, предусмотренными системой RAEE. В случае утилизации оборудования на территории Италии обратиться к производителю, который предоставит информацию по утилизации прибора в ближайшем к пользователю центре сбора отходов. Пользователи, находящиеся за пределами Италии, должны обратиться в Министерство по охране окружающей среды своей страны для получения информации о порядке утилизации. Несоблюдение методов утилизации может причинить вред окружающей среде и здоровью людей. Ввиду этого, в случае полного или частичного несоблюдения правил в области утилизации оборудования пользователь несет ответственность в соответствии с законом.

<p><b>CONDIZIONI DI GARANZIA</b></p> <ul style="list-style-type: none"> <li>- La garanzia ha durata 12 mesi ed è subordinata alla presentazione di una copia di idoneo documento fiscale o fattura comprovante la data di acquisto.</li> <li>- Il prodotto è garantito contro vizi e difetti dei materiali, di fabbricazione e assemblaggio per 12 mesi dalla data della fattura di acquisto. La garanzia consiste nella sostituzione o riparazione delle parti componenti il prodotto che risultino difettose. Essa non comprende in alcun caso la sostituzione del prodotto a seguito di intervento per guasto.</li> <li>- La garanzia è quindi limitata alla sostituzione o riparazione gratuita delle parti che, a giudizio del costruttore, siano risultate mal funzionanti. Non rientrano in essa i materiali di consumo e gli utensili.</li> <li>- Le prestazioni in garanzia saranno rese dal rivenditore presso cui è stato effettuato l'acquisto del prodotto, oppure in alternativa dalla casa costruttrice, restando inteso che il relativo trasporto avrà luogo a cura, spese e rischio del cliente.</li> <li>- La garanzia decade qualora il prodotto sia stato manomesso o riparato da personale non autorizzato.</li> <li>- La presente garanzia sostituisce ed esclude ogni altra garanzia dovuta dal rivenditore per legge o contratto e definisce tutti i diritti del cliente in ordine a vizi e difetti e/o mancanza di qualità in ordine ai prodotti acquistati.</li> <li>- Per ogni eventuale controversia legale è riconosciuto competente il Foro di residenza del costruttore.</li> </ul>	<p><b>WARRANTY CONDITIONS</b></p> <ul style="list-style-type: none"> <li>- The warranty has duration of 12 months and is subject to the presentation of a copy of a suitable fiscal document or invoice proving the purchase date.</li> <li>- The product is guaranteed against flaws and defects of the materials, manufacturing and assembly for 12 months from the date of the purchase invoice. The warranty consists in the replacement or repair of defective product components. It does not include the replacement of the product after breakdown repairs for any reason.</li> <li>- Therefore the warranty is limited to the free replacement or repair of parts which, in the manufacturer's opinion, malfunction. Consumable materials and tools are not included.</li> <li>- Warranty services are rendered by the dealer where the product was purchased or, alternately, by the manufacturer, it being understood that the relevant transport will be at the customer's full liability and expense.</li> <li>- The warranty is invalidated if the product was tampered with or repaired by unauthorised personnel.</li> <li>- This warranty substitutes and excludes any other warranty due by the dealer by law or contract and defines all the customer's rights regarding purchased product defects and faults and/or quality deficiencies.</li> <li>- Any legal controversy will be submitted to the manufacturer's Court of residence.</li> </ul>
<p><b>CONDITIONS DE LA GARANTIE</b></p> <ul style="list-style-type: none"> <li>- La garantie a une durée de 12 mois et elle est subordonnée à la présentation d'une copie du document fiscal approprié ou de la facture prouvant la date d'achat.</li> <li>- Le produit est garanti contre les vices et défauts de matière première, de fabrication et d'assemblage pendant 12 mois à compter de la date indiquée sur la facture lors de l'achat. La garantie consiste à remplacer ou réparer les parties qui constituent le produit et résultent de défauts. Elle n'inclut en aucun cas le remplacement du produit suite à une intervention pour panne.</li> <li>- La garantie se limite donc au remplacement ou à la réparation gratuite des parties qui, selon l'évaluation du constructeur, font preuve de dysfonctionnements. Les matériaux de consommation et les outils ne sont pas couverts.</li> <li>- Les prestations sous garantie seront effectuées par le revendeur chez lequel l'achat a été effectué ou, en alternative, par la maison constructrice, restant entendu que le port est pris en charge par le client, ceci incluant l'organisation, les frais et les risques relatifs.</li> <li>- La garantie est annulée en cas d'altération ou de réparation du produit par du personnel non agréé.</li> <li>- La présente garantie remplace et exclut toute autre garantie due par le revendeur en vertu de la loi ou du contrat et définit tous les droits du client en ce qui concerne les vices et les défauts et/ou le manque de qualité en ce qui concerne les produits achetés.</li> <li>- Pour tout litige juridique est reconnue tribunal compétent de la résidence du fabricant.</li> </ul>	<p><b>GARANTIEBEDINGUNGEN</b></p> <ul style="list-style-type: none"> <li>- Die Garantiezeit beträgt 12 Monate und hängt von der Vorlage einer Kopie eines geeigneten Steuerdokuments oder einer Rechnung, die das Kaufdatum belegt.</li> <li>- Die Garantie bezieht sich auf Mängel und Fehler in Bezug auf die Materialien, die Herstellung und die Montage und gilt 12 Monate ab dem Rechnungsdatum. Die Garantieleistung besteht in der Auswechslung der fehlerhaften Produktkomponenten. Die Garantie umfasst in keinem Fall die Auswechslung des Produkts infolge eines Eingriffs wegen Defekt.</li> <li>- Die Garantie ist mithin beschränkt auf die kostenlose Auswechslung oder Reparatur der Teile, die nach dem Urteil des Herstellers fehlerhaft arbeiten. Verbrauchsmaterialien und Werkzeuge sind von dieser Garantie nicht abgedeckt.</li> <li>- Die Garantie wird von dem Wiederverkäufer geleistet, bei dem das Produkt gekauft wurde oder als Alternative von der Herstellerfirma. Dabei versteht sich, dass der entsprechende Transport in der Verantwortung sowie auf Kosten und Risiko des Kunden erfolgt.</li> <li>- Die Garantie verfällt, sobald das Produkt von unbefugtem Personal manipuliert oder repariert wird.</li> <li>- Diese Garantie ersetzt und schließt jede weitere vom Wiederverkäufer von Gesetzes oder Vertrags wegen geschuldete Garantie und definiert alle Kundenrechte hinsichtlich Qualitätsfehler oder -mängel an den gekauften Produkten.</li> <li>- Für Rechtsstreitigkeiten erkannt wird zuständigen Gericht des Wohnsitzes des Herstellers.</li> </ul>
<p><b>CONDICIONES DE GARANTÍA</b></p> <ul style="list-style-type: none"> <li>- La garantía tiene una duración de 12 meses y está subordinada a la presentación de una copia de un documento fiscal válido o de una factura que pruebe la fecha de compra.</li> <li>- El producto está garantizado contra vicios y defectos de los materiales, de fabricación y de ensamblaje, por un plazo de 12 meses a partir de la fecha de la factura de compra. La garantía consiste en la sustitución o reparación de las partes componentes del producto que resulten defectuosas. La misma no comprende, en ningún, caso la sustitución del producto posterior a una intervención por avería.</li> <li>- La garantía se limita a la sustitución o reparación gratuita de las partes que, a juicio del fabricante no funcionan correctamente. No entran dentro de la misma los materiales de consumo y las herramientas.</li> <li>- Las prestaciones bajo garantía serán realizadas por el revendedor al que se ha realizado la compra del producto, o bien por la Casa Fabricante, dejando sobreentendido que el transporte, riesgos y gastos quedará a cargo del cliente.</li> <li>- La garantía caduca si el producto ha sido forzado o reparado por personal no autorizado.</li> <li>- La presente garantía sustituye y excluye cualquier otra garantía debida por el revendedor por ley o contrato y define todos los derechos del cliente con respecto a las imperfecciones, defectos y/o faltantes en cantidad del pedido de los productos comprados.</li> <li>- Para cualquier controversia jurídica es reconocida Tribunal competente de residencia de los fabricantes.</li> </ul>	<p><b>CONDIÇÕES DE GARANTIA</b></p> <ul style="list-style-type: none"> <li>- A garantia tem a duração de 12 meses e está subordinada à apresentação de uma cópia de idóneo documento fiscal ou fatura comprovante da data da compra.</li> <li>- O produto está garantido contra vícios e defeito dos materiais, de fabricação e montagem ou por 12 meses da data da fatura de compra. A garantia consiste na substituição ou reparação das partes que constituem o produto que resultem defeituosas. A garantia não prevê a substituição do produto devido a intervenção por avaria.</li> <li>- A garantia limita-se, portanto, à substituição ou reparação gratuita das partes que, a juízo do construtor, não funcionem bem. Não reentram na mesma os consumíveis e os utensílios.</li> <li>- As prestações sob garantia serão de competência do revendedor no qual foi efectuada a compra do produto ou, em alternativa, pela firma construtora, ficando assente que o relativo transporte, despesas e riscos são a cargo do cliente.</li> <li>- A garantia decai se o produto for alterado ou reparado por pessoal não autorizado.</li> <li>- A presente garantia substitui e exclui qualquer outra garantia devida pelo revendedor por lei ou por contrato e define todos os direitos do cliente em relação a vícios e defeitos e/ou falta de qualidade relativamente aos produtos comprados.</li> <li>- Para qualquer litígio jurídico é reconhecida Tribunal competente da residência do fabricante.</li> </ul>
<p><b>УСЛОВИЯ ГАРАНТИИ</b></p> <ul style="list-style-type: none"> <li>- Настоящая гарантия действительна в течение 12 месяцев и обусловлена предъявлением настоящего сертификата вместе с соответствующим документом о покупке или фактурой, подтверждающей дату покупки.</li> <li>- На изделие предоставляется гарантия против изъянов и дефектов материалов, изготовления и сборки в течение срока, указанного в настоящем сертификате. Гарантия заключается в проведении замены или ремонта дефективных частей, составляющих изделие. Гарантия не включает в себя замену изделия в результате ремонта вследствие поломки.</li> <li>- Таким образом, гарантия ограничивается бесплатным проведением замены или ремонта частей, которые по усмотрению производителя считаются неисправными. Гарантия не распространяется на расходные материалы и инструменты.</li> <li>- Гарантийные услуги оказываются дилером, у которого была совершена покупка, или, в качестве альтернативы, фирмой-производителем, причем подразумевается, что транспортировка организуется и выполняется за счет клиента и под его ответственностью.</li> <li>- Гарантия утрачивается в случае неправильного обращения с изделием или ремонта, проведенного неуполномоченным персоналом.</li> <li>- Настоящая гарантия заменяет собой и исключает любую другую гарантию, полученную от дилера по закону или по контракту, и определяет все права клиента в отношении изъянов и дефектов и/или недостатка качества приобретенных изделий.</li> <li>- При возникновении любых разногласий юридического характера компетентным считается суд г. Римини – Италия – Е. Для любой правовой спор является признанным компетентным судом жительства изготовителя.</li> </ul>	<p><b>GARANTIVILLKOR</b></p> <ul style="list-style-type: none"> <li>- Garantint varar i 12 månader och gäller på villkor att kunden kan visa upp ett kvitto eller faktura som bevis på inköpsdatum.</li> <li>- Produkten garanteras mot eventuella fel och defekter i materialet, fabriktionsfel och monteringsfel i 12 månader från inköpsdatumet. Garantint består i byte eller reparation av delarna som produkten består av och som eventuellt är defekta. Den täcker aldrig byte av produkten efter eventuella försök till reparationer.</li> <li>- Garantint är således begränsat till ersättning eller gratis reparation av delarna som fungerar dåligt, enligt tillverkaren. Detta gäller inte förbrukningsartiklar och verktyg.</li> <li>- Garantiprestationerna ska ges av återförsäljaren som sålt produkten till kunden, eller av tillverkaren, förutsatt att kunden står för transportkostnaderna och eventuella risker.</li> <li>- Garantint förfaller om produkten manipuleras eller repareras av personal som inte är auktoriserad för detta.</li> <li>- Denna garanti ersätter och utesluter varje annan garanti från återförsäljaren, enligt lag eller kontrakt, och anger alla kundens rättigheter vad gäller fel och defekter och/eller avsaknad av kvalitet i de produkter som inhandlats.</li> <li>- För varje tvist är erkänd behörig domstol där tillverkaren.</li> </ul>
<p><b>JÓTÁLLÁSI FELTÉTELEK</b></p> <ul style="list-style-type: none"> <li>- A jótállás időtartama 12 hónap. A jótállás a vásárlás napját igazoló számla vagy blokk (annak másolatának) felmutatása ellenében vehető igénybe.</li> <li>- A jótállás az anyaghibából, gyártási ill. összeszerelési hibából eredő meghibásodásokra terjed ki, a számlán feltüntetett vásárlás napjától számított 12 hónapig. A jótállás áll a termék hibás részének cseréjéből vagy ezek kijavításából. Nem foglalja viszont magában az egész termék cseréjét a hiba javítása következtében.</li> <li>- A jótállás kizárólag a hibás részek díjmentes javítására, cseréjére korlátozott, amik a gyártó elbírálása alapján részben vagy egyáltalán nem működnek. Nem érvényes anyagkopásra és felszerelésre.</li> <li>- A jótállás belüli szolgáltatást az eladó végzi, ahol történt a termék vásárlása, vagy pedig kivánság szerint a gyártó cég, de ebben az esetben az áru szállítási költsége és biztonsága, kockázata a vásárlót terheli.</li> <li>- A jótállás érvényét veszti ha a terméken nem hozzáértő és nem meghatalmazott személy bármilyen beavatkozást végzett.</li> <li>- Ez a jótállás helyettesít és kizár minden más jótállást amire a gyártó köteles egy szerződés vagy jog alapján és meghatározza a vásárló minden jogát a vásárolt termékek hibáival, hiányosságaival, minőség hiányával szemben viszonyítva.</li> <li>- Minden olyan jogvita elismert illetékes bíróság lakóhelye a gyártótól.</li> </ul>	<p><b>ΟΡΟΙ ΕΙΣΥΓΗΣΗΣ</b></p> <ul style="list-style-type: none"> <li>- Η εγγύηση έχει διάρκεια 12 μήνες και υπόκειται στην προσκόμιση αντιγράφου του κατάλληλου φορολογικού εγγράφου ή τιμολογίου που αναγράφει την ημερομηνία αγοράς.</li> <li>- Το προϊόν είναι εγγυημένο για ατέλεια και ελαττώματα υλικών, κατασκευής και συναρμολόγησης για 12 μήνες από την ημερομηνία έκδοσης του τιμολογίου. Η εγγύηση καλύπτει την αντικατάσταση ή την επισκευή των μερών του προϊόντος που παρουσιάζουν τα ελαττώματα. Για κανένα λόγο, δεν προβλέπεται την ολική αντικατάσταση του προϊόντος σε περίπτωση τεχνικής επέμβασης επισκευής.</li> <li>- Συνεπώς, η εγγύηση καλύπτει μόνο τη δωρεάν αντικατάσταση ή επισκευή των μερών που, κατά την κρίση του κατασκευαστή, αποδειχθεί ότι παρουσιάζουν προβλήματα λειτουργίας. Δεν καλύπτει τα αναλώσιμα υλικά και τα εργαλεία.</li> <li>- Οι υπηρεσίες τεχνικής υποστήριξης που καλύπτονται από την εγγύηση παρέχονται από τον πωλητή του προϊόντος ή, εναλλακτικά, από την κατασκευαστική εταιρεία. Εννοείται ότι η μεταφορά του προϊόντος θα γίνει με φροντίδα, οπότε η καινούρια κίνηση του πελάτη.</li> <li>- Η εγγύηση πάει να ισχύει σε περίπτωση που το προϊόν παραβιαστεί ή επισκευαστεί από μη εξουσιοδοτημένους τεχνικούς.</li> <li>- Η παρούσα εγγύηση αντικαθιστά και ακυρώνει όλες τις προηγούμενες εγγυήσεις που ενδεχομένως παρέχει ο πωλητής με βάση το νόμο ή κάποιο συμβόλαιο, και καθορίζει όλα τα δικαιώματα του πελάτη όσον αφορά τα ελαττώματα και/ή την έλλειψη αναμενόμενης ποιότητας των προϊόντων που αποκτήθηκαν.</li> <li>- Για κάθε νομική διαφορά αναγνωρίζεται αρμόδιο δικαστήριο της κατοικίας του κατασκευαστή.</li> </ul>