



100.211

1. General Information	16
1.1 Information about the instruction manual	16
1.2 Key to symbols	16
1.3 Liability and Warrantees	17
1.4 Copyright protection	17
1.5 Declaration of conformity	17
2. Safety	18
2.1 General information	18
2.2 Safety instructions for use of the device	18-19
2.3 Intended use	19
3. Delivery, packaging and storage	20
3.1 Delivery check	20
3.2 Packaging	20
3.3 Storage	20
4. Technical data	21
4.1 Technical specification	21
4.2 Overview of parts	21
5. Installation and operation	22
5.1 Safety instructions	22
5.2 Installation and connection	23
5.3 Operating	24-26
6. Cleaning and maintenance	27
6.1 Safety advice	27
6.2 Cleaning	27
6.3 Safety instructions for maintenance	28
7. Waste disposal	28

Bartscher GmbH
Franz-Kleine-Str. 28
D-33154 Salzkotten
Germany

phone: +49 (0) 5258 971-0
fax: +49 (0) 5258 971-120

1. General information

1.1 Information about the instruction manual

This instruction manual contains information about the installation, operation and maintenance of the device and should be consulted as an important source of information and reference guide.

Awareness of the safety instructions and instructions for use in this manual will ensure the safe and correct use of the device.

In addition to the information given here, you should comply with any local Health and safety Controls and generally applicable safety regulations.

The instruction manual forms part of the product and should be kept near the device and easily accessible for anyone carrying out the installation, servicing, maintenance or cleaning.

1.2 Key to symbols

In this manual, symbols are used to highlight important safety instructions and any advice relating to the device. The instructions should be followed very carefully to avoid any risk of accident, personal injury or material damage.



WARNING!

This symbol highlights hazards, which could lead to injury.

Please follow the instructions very carefully and proceed with particular attention in these cases.



WARNING! Electrical hazard!

This symbol draws attention to potential electrical hazards. If you do not follow the safety instructions, you may risk injury or death.



CAUTION!

This symbol highlights instructions, which should be followed to avoid any risk of damage, malfunctioning and/or breakdown of the device.



NOTE!

This symbol highlights tips and information, which have to be followed for an efficient and trouble-free operation of the device.



WARNING! Hot external surface!

This symbol is a warning that the unit surface is hot when in use. Ignoring this warning may result in burns!

1.3 Liability and Warrantees

All the information and instructions in this manual take into account standard safety regulations, current levels of technical engineering as well as the expertise and experience we have developed over the years.

The instruction manual was translated with all due care and attention. However, we do not accept liability for any translation errors. The German version of this instruction manual is definitive.

If the delivery consists of a special model, the actual scope of delivery may differ from the descriptions and illustrations in this manual. This is also the case for special orders or when the device has been modified in line with new technology. If you have any questions, you should contact the manufacturer.



NOTE!

Read the instruction manual carefully before using the device. The manufacturer does not accept liability for any damage or malfunction resulting from not following the instructions for use.

The instruction manual should be kept near the device, easily accessible for anyone wishing to work with or using it. We reserve the right to make technical changes for purposes of developing and improving the useful properties.

1.4 Copyright protection

The instruction manual including any texts, drawings, images or other illustrations is copyright. No part of this publication may be reproduced, transmitted or used in any form or by any means without permission in writing from the manufacturer. Any person who commits any unauthorized act in relation to this publication shall be liable to claims for damages. All rights reserved.



NOTE!

The contents, texts, drawings, pictures and any other illustrations are copyright and subject to other protection rights. Any person unlawfully using this publication is liable to criminal prosecution.

1.5 Declaration of conformity

The device complies with the current standards and directives of the EU.

We certify this in the EC declaration of conformity.

If required we will be glad to send you the according declaration of conformity.

2. Safety

This section provides an overview of all important safety aspects.

In addition every chapter provides precise safety advice for the prevention of dangers which are highlighted by the use of the above mentioned symbols.

Furthermore, attention should be paid to all pictograms, markers and labels on the device, which must be kept in a permanent state of legibility.

By following all the important safety advice you gain an optimal protection against all hazards as well as the assurance of a safe and trouble-free operation.

2.1 General Information

This device is designed in accordance with the presently applicable technological standards. However, the device can pose a danger if handled improperly and inappropriately.

Knowing the contents of the instruction manual as well as avoiding mistakes and thus operating this device safely and in a fault-free manner is very essential to protect yourselves from the hazards.

To prevent hazards and to ensure optimum efficiency, no modifications or alterations to the device that are not explicitly approved by the manufacturer may be undertaken.

This device may only be operated in technically proper and safe condition.

2.2 Safety instructions for use of the device

The specifications regarding the industrial safety are based on the Regulations of the European Union applicable at the time of manufacturing the device.

If the device is used commercially, the user is obliged to ensure that the said industrial safety measures concur with the state of the rules and regulations applicable at the time in question for the entire period of use of the device and to comply with the new specifications.

Outside the European Union, the industrial safety laws applicable at the place of installation of the device and the regional territorial provisions must be complied with.

Besides the industrial safety instructions in the instruction manual, the general safety and accident prevention regulations as well as environment protection regulations applicable for area of application of the device must be followed and complied with.



CAUTION!

- The unit is not intended for use by individuals (including children) with physical or mental disabilities, insufficient experience, and/or insufficient knowledge unless such persons are under the care of a person responsible for their safety or have received instructions regarding appropriate use of the unit.
- Children should be observed to ensure that they are not playing with the unit.
- Preserve this manual safely. When passing on/selling the device to a third party, the manuals must be handed over along with the device.
- Every person using the device must act in accordance to the manuals and under consideration of the safety advice.
- The device is to be used indoors only.

2.3 Intended use

Safe operation is only guaranteed when using the device for its intended purpose.

Any technical interventions, as well as assembly and maintenance are to be made by a qualified customer service only.

The conveyor toaster is intended **only** for toasting bread and bread rolls

Do not use the **conveyor toaster** for:

- Baking bread or bread rolls;
- Toasting such products as garlic rolls, sandwiches with cheese or sugar-coated baked goods. They may stick to and dirty the conveyor belt, which may have a negative effect on the unit's functioning.



CAUTION!

Any use going beyond the intended purpose and/or any different use of the device is forbidden and is not considered as conventional.

Any claims against the manufacturer or his authorized representative as a consequence of experiencing damages resulting from unconventional use are impossible.

The operator is liable for all damages resulting from inappropriate use.

3. Transport, packaging and storage

3.1 Delivery check

Please check the delivery upon completeness and transport damage immediately after receipt.

In case of visible damage do not accept or accept the delivery with reservation only.

Note the extent of damage on the carrier's bill of delivery. Trigger off the complaint.

Hidden damages should be reclaimed immediately after notice, as claims for damages can only be asserted within the effective period for complaints.

3.2 Packaging

Please do not throw away the covering carton of your device as it might be useful for storage purposes, when moving or, in case of damages, when the device must be sent back to a repair center. The outer and inner packing material should be removed completely from the device before installation.



NOTE!

If you liked to dispose the packing, consider the regulations applicable in your country. Supply re-usable packing materials to the recycling.

Please inspect the device upon completeness. In case any part is missing please contact our customer service center immediately.

3.3 Storage

Keep the package closed until installation and under consideration of the outside indicated positioning- and storage markings.

Packages should be stored under consideration of the following:

- Do not store outdoors.
- Keep it dry and dust-free.
- Do not expose it to aggressive media.
- Do not expose it to direct sunlight.
- Avoid mechanical shocks and vibration.
- In case of longer storage (> 3 months) make sure you check the state of the packaging and the parts regularly. If required refresh or renew.

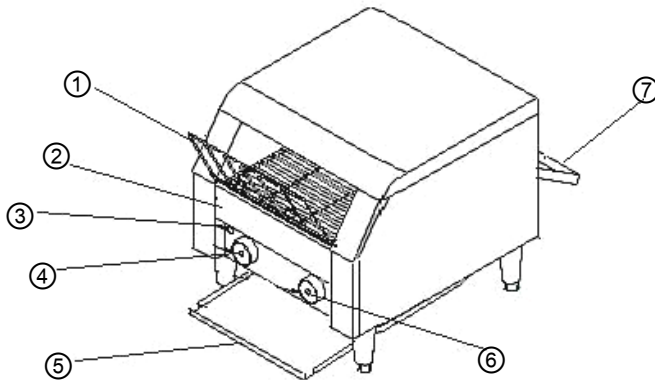
4. Technical data

4.1 Technical data

Name	Conveyor toaster „MINI“
Art. no.:	100.211
Construction:	Stainless steel
Capacity:	approx. 75 pieces / hour
Power:	230 V ~ 50 Hz 1.34 kW
Dimensions:	W 290 x D 440 x H 385 mm
Weight:	14.5 kg

We reserve the right to make technical changes!

4.2 Overview of parts



- ① Guide shelf
- ② Crumb collector
- ③ Power light (green)
- ④ Belt speed regulator
- ⑤ Dispensing shelf
- ⑥ **ON/OFF** switch
- ⑦ Toast catcher

5. Installation and operation

5.1 Safety instructions



WARNING! Electrical hazard!

The device must only be connected to a properly installed single socket with protective contact.

Never yank cord to disconnect from outlet.

Cable must not touch any hot parts.

- See that the cable does not touch any heat sources or sharp edges. Do not let the cable dangle over the counter edge.



WARNING! Hot external surface!

During operation some elements of the unit very become hot. To avoid burns, do not touch hot elements!

- Do not use the device in case it does not function properly, has been damaged or dropped.
- Do not use any accessory or spare parts that have not been recommended by the manufacturer. These can be dangerous for the user or lead to damages of the device or personal injury, and further, the warranty expires.
- Do not lay the cable over carpets or heat insulations. Do not cover the cable. Keep away the cable from operating range and do not dunk it into water.
- Do not place any objects on the toaster.
- Do not move or tilt the device when in operation.



WARNING! Hazard via electrical current!

The device can cause injuries due to improper installation!

Before installation the local power grid specification should be compared with that of the device (see type label).

Connect the device only in case of compliance!

Take note of the security advice!

5.2 Installation and connection

- Unpack the unit and remove all packing material.
- Mount the adjustable legs and adjust them so that the unit stands in a stable position.
- Place the unit on a level, stable surface which can support the weight of the unit and is not heat sensitive.
- **NEVER** place the unit on a flammable surface (e.g. carpet, tablecloth, etc.)
- Do not place the unit near an open flame, electric ovens, heating ovens and other sources of heat.
- Do not place the unit near flammable or easily ignitable materials.
- To ensure the unit's safe operation, maintain a distance of 3 cm from the sides of the unit, 30 cm at the front and rear, and 30 cm above (e.g. in relation to a wall-mounted shelf or the ceiling).
- The toaster must be in a well-ventilated area.
- Do not place the unit directly in the path of air conditioning units.
- For the unit to function safely and in accordance with regulations, it should be located in an enclosed area with an ambient temperature between 21°C -29°C.
- The electrical circuit in the socket must be secured to at least 16A. Only connect the unit directly to the wall socket; do not use any extension cords or power strips.
- Position the device in a way so that the power plug is always accessible.

5.3 Operating

Prior to use

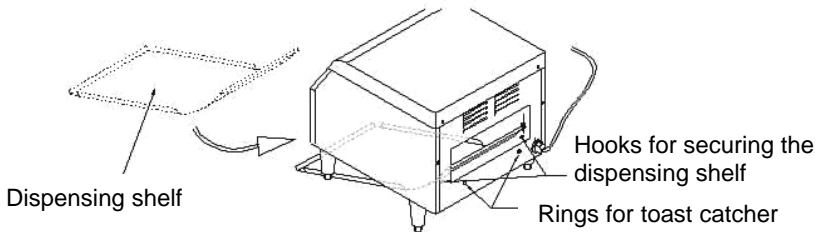
- Prior to use, wash the crumb collector, dispensing shelf and toast catcher with a soft cloth and mild cleaning agent, then rinse. Dry thoroughly.
- Slide the crumb collector into the appropriate opening under the guide shelf (removed grate) until it 'clicks' into place.



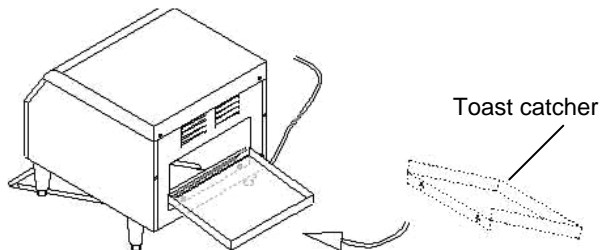
WARNING!

To avoid injury and damage to the unit, always use the toaster with the crumb collector inserted.

- Mount the guide shelf at the front of the unit.
- Mount the dispensing shelf by first sliding the round side under the unit, then hanging it on the lower edge of the opening at the rear of the unit on the hooks located there.

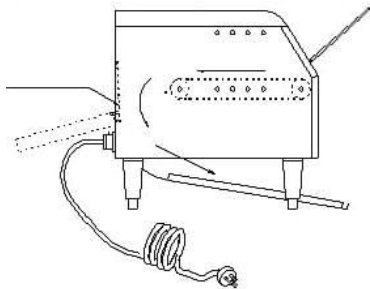


- Hang the toast catcher (with the appropriate front-side slots) on the rings under the opening at the rear of the unit.



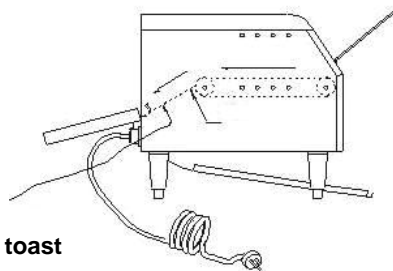
Dispensing

- Depending on the setup, toasted products may be dispensed in **two ways**:
 - From the front, using the dispensing shelf
 - From the rear, using the toast catcher
- If toast is to be dispensed at the front, close the opening in the rear wall of the unit using the hook on the rear metal flap.



Front dispensing of toast

- For rear dispensing of toast, the unit's rear metal flap must be placed inside the unit.



Rear dispensing of toast

- Ensure the unit's **ON/OFF** switch is located in the **OFF** position.
- Connect the unit to a single power outlet.
- After activation, the green power light will come on.
- First, set the speed of the conveyor belt (knob at left, pos. 1-7) at the highest (quickest) setting (setting 1), and set the unit's On/Off switch (knob at right) to **BREAD**, and let the unit heat up for approx. 15 – 20 minutes.

Possible settings:

- Upper and lower heater = **BREAD/TOAST**,
 - Upper heater = **BUNS**
 - **STBY** = standby
- Next, to test the unit, place two slices of bread on the guide shelf. Faster belt speed will result in lighter toasting, and slower belt speed will result in darker toasting.
 - After toasting, the bread is dispensed depending on the setup either at the front or rear of the unit.



NOTE!

For toasting moister products, such as English muffins, rye bread or whole-grain bread, the belt should be set at a slower speed by turning the belt speed regulator to a higher setting (turn clockwise).

- Best results can be achieved by selecting an average (3-4) conveyor belt speed.
- Products to be toasted may also be placed directly on the shelf. If the unit is used in this way, the guide shelf should be placed at the very back of the unit.
- If the toaster is not in use, to save energy it may be placed in „**STBY**” mode. The toaster will use only 25% of its typical energy use.



NOTE!

To place the toaster in full readiness mode, turn the On/Off switch to **BREAD/TOAST** or **BUNS**. The unit is ready after 5 minutes to begin toasting.

6. Cleaning and maintenance

6.1 Safety advice

- Before beginning with repair or cleaning works make sure the device has been disconnected from power socket (pull the power plug!!!) and has cooled down.
- Do not use any acid agents and make sure no water ingresses the device.
- To protect yourself from electric shock, **never** immerse the device, its cables and the plug in water or other liquids.



CAUTION!

The device is not suited for direct washing via water jets. Therefore, you must not use any kind of pressure water jet for cleaning the device!

6.2 Cleaning

- Clean the unit regularly.
- Clean the surface with a soft, moist cloth and dry with a dry cloth or paper towel.
- Stubborn stains may be removed using a stainless steel cleaner or with a non-abrasive cleaning agent.
- Do not use any abrasive substances which may scratch the toaster's surface, which will cause it to dirty more easily.
- Remove the crumb collector, dispensing tray and toast catcher and wash them with a mild cleaning agent, rinse in clean water and dry thoroughly.
- To remove the guide shelf, press both of the wire spokes to the middle and remove the shelf from the unit. Clean it with a soft, moist cloth and replace as necessary.
- Hard-to-access placed should be cleaned with a small brush and mild cleaning agent.
- After cleaning, use a soft, dry cloth to dry and polish the surface.
- Check that the unit has been properly cleaned prior to placing it in a dry place.

6.3 Safety instructions for maintenance

- Check the mains connection cable for damage from time to time. Never operate the device when the cable is damaged. A damaged cable must immediately be replaced by customer service or a qualified electrician to avoid dangers.
- In case of damage or malfunction, please contact your stockist or our customer service centre.
- Only a qualified technician and using original spare parts and accessories should carry out repairs and maintenance of the device. **Do not attempt to repair the device yourself.**

7. Waste disposal

Discarding old devices

At the end of its service life the discarded device has to be disposed in accordance with the national regulations. It is advisable to contact a company which is specialized in waste disposal, or just contact the local disposal service in your community.



WARNING!

To exclude any abuse and the dangers involved make the waste device unfit for use before disposal. For that purpose disconnect device from mains supply and remove mains connection cable from the device.



NOTE!



For the disposal of the device please consider and act according to the national and local rules and regulations.

Bartscher GmbH
Franz-Kleine-Str. 28
D-33154 Salzkotten
Germany

phone: +49 (0) 5258 971-0
fax: +49 (0) 5258 971-120